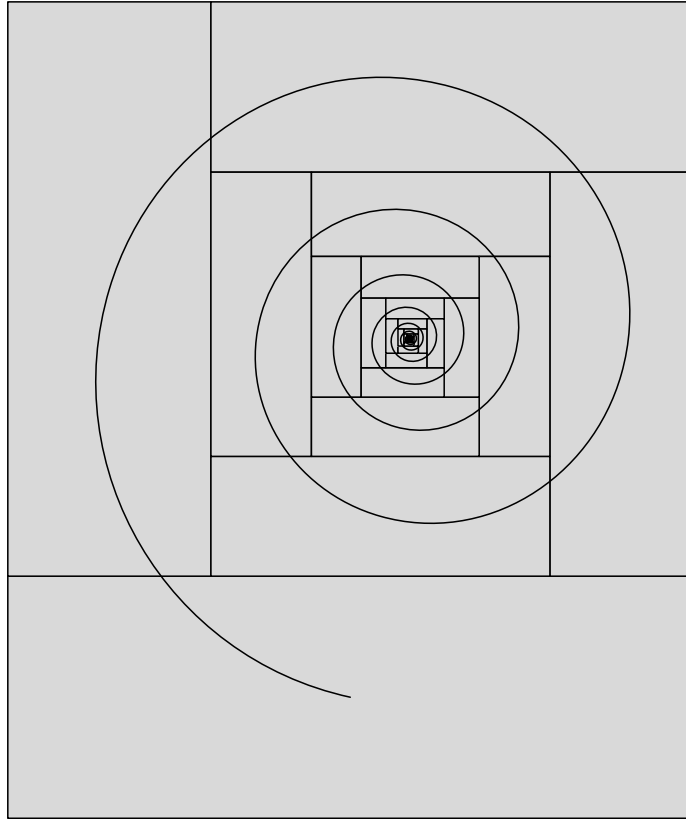


B. Jackowski and J. M. Nowacki



\TeX Gyre Cursor

THE TECHNICAL DOCUMENTATION OF THE FONT

Welcome to the T_EX Gyre Project

The text below is a slightly modified small excerpt from the article ‘‘The New Font Project: T_EX Gyre’’ by Hans Hagen, NTG, Jerzy Ludwichowski, GUST, and Volker RW Schaa, DANTE e.V. (<http://www.gust.org.pl/projects/e-foundry/tex-gyre/tb86hagen-gyre.pdf>). The article presents in detail the origins and scope of the T_EX Gyre Project, as well as the plans for the future.

The T_EX Gyre Project is a brainchild of Hans Hagen, triggered mainly by the very good reception of the Latin Modern (LM) font project by the T_EX community.

The aim is to prepare a set of families of fonts, where each font comprises a broad repertoire of Latin diacritical characters, based on the freely available good quality fonts distributed with Ghostscript. The main transformation will be an ‘‘LM-ization’’ of the fonts, i.e., providing as many diacritical characters per font as were prepared for the Latin Modern font package (ca. 400 diacritical characters, total |nearly 1200) with the aim to cover all European languages as well as some non-European ones (Vietnamese, Navajo).

The idea was suggested by the pdfT_EX development team. Their proposal triggered a lively discussion by an informal group of representatives of several T_EX user groups |notably Karl Berry (TUG), Hans Hagen (NTG), Jerzy Ludwichowski (GUST), Volker RW Schaa (DANTE) |who suggested that we should approach this project as a research, technical and implementation team, and promised their help in taking care of promotion, integration, supervising and financing.

Since the character sets provided are to be (almost) identical, such ‘‘LM-ized’’ fonts should work with all the T_EX packages that the LM fonts work with, which will ease their integration and adoption. The results will be distributed, like the LM fonts, in the form of PostScript Type 1 fonts, OpenType fonts, MetaType1 sources and the supporting T_EX machinery.

We emphasize that the preparing of fonts in the OpenType format is an important aspect of the project. OpenType fonts are becoming more and more popular, they are Unicode-based, can be used on various platforms and claim to be a replacement for Type 1 and TrueType fonts. Moreover, Type 1 fonts were declared obsolete by Adobe a few years ago.

Since the TFM format is restricted to 256 distinct character widths, it will still be necessary to prepare multiple metric and encoding files for each font. We look forward to an extended TFM format which will lift this restriction and, in conjunction with Open-Type, simplify delivery and usage of fonts with T_EX. We especially look forward to assistance from pdfT_EX users, because the pdfT_EX team is working on the implementation on the support for OpenType fonts.

An important consideration from Hans Hagen: ‘‘In the end, even Ghostscript will benefit, so I can even imagine those fonts ending up in the Ghostscript distribution.’’

A coverage note

As was said before, the TeX Gyre project, following the Latin Modern project, aims at providing a rich collection of diacritical characters in the attempt to cover as many Latin-based scripts as possible. To our knowledge, the repertoire of characters covers all European languages as well as some other Latin-based alphabets such as Vietnamese and Navajo. We have frequently used the information presented by Michael Everson at the ‘‘The Alphabets of Europe’’ (<http://www.evertype.com/alphabets/>) web site. If you know about European

languages that are not covered completely or if some glyphs have apparently wrong shapes | please let us know.

Although we provide the Cyrillic glyphs, they were just taken over from the original fonts, where available, and it should be stressed that they bear only a provisional character. Similar objections apply also to Greek glyphs programmed by us. That said, we hope to be able to improve the situation in one of the later stages of development.

OpenType Layout features found in T_EX Gyre Cursor

```
script = 'DFLT'  
language = <default>  
features = 'aalt' 'c2sc' 'dlig' 'frac' 'liga' 'lnum' 'onum' 'pnum' 'salt' 'smcp' 'ss01' 'ss02'  
'ss03' 'ss04' 'tnum' 'zero' 'csp' 'size'
```

```
script = 'cyr1'  
language = <default>  
features = 'aalt' 'c2sc' 'dlig' 'frac' 'liga' 'lnum' 'onum' 'pnum' 'salt' 'smcp' 'ss01' 'ss02'  
'ss03' 'ss04' 'tnum' 'zero' 'csp' 'size'
```

```
script = 'latn'  
language = 'AZE '  
features = 'aalt' 'c2sc' 'dlig' 'frac' 'liga' 'lnum' 'onum' 'pnum' 'salt' 'smcp' 'ss01' 'ss02'  
'ss03' 'ss04' 'tnum' 'zero' 'csp' 'size'
```

```
language = 'CRT '  
features = 'aalt' 'c2sc' 'dlig' 'frac' 'liga' 'lnum' 'onum' 'pnum' 'salt' 'smcp' 'ss01' 'ss02'  
'ss03' 'ss04' 'tnum' 'zero' 'csp' 'size'
```

```
language = 'MOL '  
features = 'aalt' 'c2sc' 'dlig' 'frac' 'liga' 'lnum' 'locl' 'onum' 'pnum' 'salt' 'smcp' 'ss01'  
'ss02' 'ss03' 'ss04' 'tnum' 'zero' 'csp' 'size'
```

```
language = 'NLD '  
features = 'aalt' 'c2sc' 'dlig' 'frac' 'liga' 'lnum' 'onum' 'pnum' 'salt' 'smcp' 'ss01' 'ss02'  
'ss03' 'ss04' 'tnum' 'zero' 'csp' 'size'
```

```
language = 'ROM '  
features = 'aalt' 'c2sc' 'dlig' 'frac' 'liga' 'lnum' 'locl' 'onum' 'pnum' 'salt' 'smcp' 'ss01'  
'ss02' 'ss03' 'ss04' 'tnum' 'zero' 'csp' 'size'
```

```
language = 'TRK '  
features = 'aalt' 'c2sc' 'dlig' 'frac' 'liga' 'lnum' 'onum' 'pnum' 'salt' 'smcp' 'ss01' 'ss02'  
'ss03' 'ss04' 'tnum' 'zero' 'csp' 'size'
```

```
language = <default>  
features = 'aalt' 'c2sc' 'dlig' 'frac' 'liga' 'lnum' 'onum' 'pnum' 'salt' 'smcp' 'ss01' 'ss02'  
'ss03' 'ss04' 'tnum' 'zero' 'csp' 'size'
```

Supported Unicode Blocks

0x0000 - 0x00FF ANSI
 0x0080 - 0x00FF Latin Supplement and C1 Controls
 0x0100 - 0x017F Latin Extended-A
 0x0370 - 0x03FF Greek and Coptic
 0x0400 - 0x04FF Cyrillic
 0x1E00 - 0x1EFF Latin Extended Additional

Supported Windows Code Pages

1250 ANSI Latin 2 (Central Europe)
 1251 ANSI Cyrillic
 1252 ANSI Latin 1
 1254 ANSI Turkish
 1257 ANSI Baltic
 1258 ANSI Vietnam

T_EX Gyre Cursor Families

"TeX Gyre Cursor" -> 0369µ OThamburgefionst
 "TeX Gyre Cursor/I" -> 0369µ OThamburgefionst
 "TeX Gyre Cursor/B" -> **0369µ OThamburgefionst**
 "TeX Gyre Cursor/BI" -> **0369µ OThamburgefionst**

"TeX Gyre Cursor:+smcp" -> 0369µ OTHAMBURGEFIONST
 "TeX Gyre Cursor/I:+smcp" -> 0369µ OTHAMBURGEFIONST
 "TeX Gyre Cursor/B:+smcp" -> **0369µ OTHAMBURGEFIONST**
 "TeX Gyre Cursor/BI:+smcp" -> **0369µ OTHAMBURGEFIONST**

Examples of the OTF features of T_EX Gyre Cursor

"TeX Gyre Cursor:+c2sc" / "1234 ABC abcflffi" -> 1234 ABC abcflffi
 "TeX Gyre Cursor:+tnum" / "0123456789 ABC abc" -> 0123456789 ABC abc
 "TeX Gyre Cursor:+pnum" / "0123456789 ABC abc" -> 0123456789 ABC abc
 "TeX Gyre Cursor:+onum" / "0123456789 ABC abc" -> 0123456789 ABC abc
 "TeX Gyre Cursor:+zero" / "01234 ABC abc" -> 01234 ABC abc
 "TeX Gyre Cursor:+frac" / "01/23/4 ABC abc" -> 0½¾ ABC abc
 "TeX Gyre Cursor:language=PLK" / "fifka fijn uff" -> fifka fijn uff
 "TeX Gyre Cursor:language=NLD" / "fifka fijn uff" -> fifka fijn uff
 "TeX Gyre Cursor:language=TRK" / "fifka fijn uff" -> fifka fijn uff
 "TeX Gyre Cursor:-liga" / "fifka fijn uff" -> fifka fijn uff
 "TeX Gyre Cursor:-salt" / "ε π φ θ ϑ ® ©" -> ε π φ θ ϑ ® ©
 "TeX Gyre Cursor:+salt" / "ε π φ θ ϑ ® ©" -> ε ω φ θ ϑ ® °
 "TeX Gyre Cursor" / "\char"015E \char"015F" -> § §
 "TeX Gyre Cursor:language=ROM,+locl" / "\char"015E \char"015F" -> § §

The repertoire of glyphs of T_EX Gyre Cursor

Each subcolumn contains: unicode number (if present), glyphs in all variants, the OTF name or the OTF name placed above the Type 1 name (if they differ).

0. No unicodes

˘ ˘ ˘ ˘	acute.dup	l̇ l̇ l̇ l̇	lcedilla
Æ Æ Æ Æ	AE.dup	- - - -	macron.dup
æ æ æ æ	ae.dup	Ŋ Ŋ Ŋ Ŋ	Ncedilla
˘ ˘ ˘ ˘	cedilla.dup	ŋ ŋ ŋ ŋ	ncedilla
ˆ ˆ ˆ ˆ	circumflex.dup	Œ Œ Œ Œ	OE.dup
¨ ¨ ¨ ¨	dieresis.dup	œ œ œ œ	oe.dup
ℓ ℓ ℓ ℓ	l.script.dup ell	Ø Ø Ø Ø	Oslash.dup
Ĝ Ĝ Ĝ Ĝ	Gcedilla	ø ø ø ø	oslash.dup
ĝ ĝ ĝ ĝ	gcedilla	\ ' \ '	quoteleft.dup
ß ß ß ß	germandbls.dup	' ' ' '	quoteright.dup
- - - -	hyphen.dup	Ŕ Ŕ Ŕ Ŕ	Rcedilla
Ḳ Ḳ Ḳ Ḳ	Kcedilla	ř ř ř ř	rcedilla
ḵ ḵ ḵ ḵ	kcedilla	˜ ˜ ˜ ˜	tilde.dup
Ł Ł Ł Ł	Lcedilla		

1. Standard low unicodes 0020 .. 007E

0041	A A A A	A	0065	e e e e	e
0061	a a a a	a	0038	8 8 8 8	eight
0026	& & & &	ampersand	003D	= = = =	equal
005E	^ ^ ^ ^	asciicircum	0021	! ! ! !	exclam
007E	~ ~ ~ ~	asciitilde	0046	F F F F	F
002A	* * * *	asterisk	0066	f f f f	f
0040	@ @ @ @	at	0035	5 5 5 5	five
0042	B B B B	B	0034	4 4 4 4	four
0062	b b b b	b	0047	G G G G	G
005C	\ \ \ \	backslash	0067	g g g g	g
007C	 	bar	0060	` ` ` `	grave
007B	{ { { {	braceleft	003E	> > > >	greater
007D	} } } }	braceright	0048	H H H H	H
005B	[[[[bracketleft	0068	h h h h	h
005D]]]]	bracketright	002D	- - - -	hyphen
0043	C C C C	C	0049	I I I I	I
0063	c c c c	c	0069	i i i i	i
003A	: : : :	colon	004A	J J J J	J
002C	, , , ,	comma	006A	j j j j	j
0044	D D D D	D	004B	K K K K	K
0064	d d d d	d	006B	k k k k	k
0024	\$ \$ \$ \$	dollar	004C	L L L L	L
0045	E E E E	E	006C	l l l l	l

003C	< < < <	less	0073	s s s s	s
004D	M M M M	M	003B	; ; ; ;	semicolon
006D	m m m m	m	0037	7 7 7 7	seven
004E	N N N N	N	0036	6 6 6 6	six
006E	n n n n	n	002F	/ / / /	slash
0039	9 9 9 9	nine	0020		space
0023	# # # #	numersign	0054	T T T T	T
004F	O O O O	0	0074	t t t t	t
006F	o o o o	o	0033	3 3 3 3	three
0031	1 1 1 1	one	0032	2 2 2 2	two
0050	P P P P	P	0055	U U U U	U
0070	p p p p	p	0075	u u u u	u
0028	((((parenleft	005F	— — — —	underscore
0029))))	parenright	0056	V V V V	V
0025	% % % %	percent	0076	v v v v	v
002E	period	0057	W W W W	W
002B	+ + + +	plus	0077	w w w w	w
0051	Q Q Q Q	Q	0058	X X X X	X
0071	q q q q	q	0078	x x x x	x
003F	? ? ? ?	question	0059	Y Y Y Y	Y
0022	" " " "	quotedbl	0079	y y y y	y
0027	' ' ' '	quotesingle	005A	Z Z Z Z	Z
0052	R R R R	R	007A	z z z z	z
0072	r r r r	r	0030	0 0 0 0	zero
0053	S S S S	S			

2. Standard high unicodes FB00 .. FB06

FB00	ff ff ff ff	f f ff	FB02	fl fl fl fl	f l fl
FB01	fi fi fi fi	f i fi			

3. Standard other unicodes 0080 .. DFFF (actually in 00A0 .. uni2AB0)

00C1	Á Á Á Á	Aacute	1EB4	Ă Ă Ă Ă	Abrevetilde
00E1	á á á á	aacute	1EB5	ă ă ă ă	abrevetilde
0102	Ă Ă Ă Ă	Abreve	00C2	Â Â Â Â	Acircumflex
0103	ă ă ă ă	abreve	00E2	â â â â	acircumflex
1EAE	Ă Ă Ă Ă	Abreveacute	1EA4	Ă Ă Ă Ă	Acircumflexacute
1EAF	ă ă ă ă	abreveacute	1EA5	ă ă ă ă	acircumflexacute
1EB6	Ă ă Ă ă	Abrevedotbelow	1EAC	Â ă Â ă	Acircumflexdotbelow
1EB7	ă ă ă ă	abrevedotbelow	1EAD	â ă â ă	acircumflexdotbelow
1EB0	Ă ă Ă ă	Abrevegrave	1EA6	Ă ă Ă ă	Acircumflexgrave
1EB1	ă ă ă ă	abrevegrave	1EA7	ă ă ă ă	acircumflexgrave
1EB2	Ă ă Ă ă	Abrevehookabove	1EA8	Ă ă Ă ă	Acircumflexhookabove
1EB3	ă ă ă ă	abrevehookabove	1EA9	ă ă ă ă	acircumflexhookabove

1EAA	Ã Ä	Acircumflextilde	042E	Ю Ю	afii10048
1EAB	ã ä	acircumflextilde	042F	Я Я	afii10049
00B4	´	acute	0490	Г Г	afii10050
0301	ˆ	uni0301 acutecomb	0402	Ђ Ђ	afii10051
0200	À Á	Adblgrave	0403	Í Í	afii10052
0201	à á	adblgrave	0404	Є Є	afii10053
00C4	Ä	Adieresis	0405	Š Š	afii10054
00E4	ä	adieresis	0406	ı ı	afii10055
1EA0	Ạ	Adotbelow	0407	İ İ	afii10056
1EA1	ạ	adotbelow	0408	Ј Ј	afii10057
00C6	Æ	AE	0409	Љ Љ	afii10058
00E6	æ	ae	040A	Њ Њ	afii10059
01FC	É	AEacute	040B	Ѡ Ѡ	afii10060
01FD	é	aeacute	040C	Ќ Ќ	afii10061
0410	А А	afii10017	040E	Ў Ў	afii10062
0411	Б Б	afii10018	0430	а а	afii10065
0412	В В	afii10019	0431	б б	afii10066
0413	Г Г	afii10020	0432	в в	afii10067
0414	Д Д	afii10021	0433	г г	afii10068
0415	Е Е	afii10022	0434	д д	afii10069
0401	Ё Ё	afii10023	0435	е е	afii10070
0416	Ж Ж	afii10024	0451	ё ё	afii10071
0417	З З	afii10025	0436	ж ж	afii10072
0418	И И	afii10026	0437	з з	afii10073
0419	Й Й	afii10027	0438	и и	afii10074
041A	К К	afii10028	0439	й й	afii10075
041B	Л Л	afii10029	043A	к к	afii10076
041C	М М	afii10030	043B	л л	afii10077
041D	Н Н	afii10031	043C	м м	afii10078
041E	О О	afii10032	043D	н н	afii10079
041F	П П	afii10033	043E	о о	afii10080
0420	Р Р	afii10034	043F	п п	afii10081
0421	С С	afii10035	0440	р р	afii10082
0422	Т Т	afii10036	0441	с с	afii10083
0423	У У	afii10037	0442	т т	afii10084
0424	Ф Ф	afii10038	0443	у у	afii10085
0425	Х Х	afii10039	0444	ф ф	afii10086
0426	Ц Ц	afii10040	0445	х х	afii10087
0427	Ч Ч	afii10041	0446	ц ц	afii10088
0428	Ш Ш	afii10042	0447	ч ч	afii10089
0429	Щ Щ	afii10043	0448	ш ш	afii10090
042A	Ъ Ъ	afii10044	0449	щ щ	afii10091
042B	Ы Ы	afii10045	044A	ъ ъ	afii10092
042C	Ь Ъ	afii10046	044B	ы ы	afii10093
042D	Э Э	afii10047	044C	ь ь	afii10094

044D	Э Э Э Э	afii10095	0E3F	Ẁ Ẁ Ẁ Ẁ	baht
044E	Ю Ю Ю Ю	afii10096	0392	Β Β Β Β	Beta
044F	Я Я Я Я	afii10097	03B2	β β β β	beta
0491	Г Г Г Г	afii10098	2422	̡ ̡ ̡ ̡	blanksymbol
0452	Ĥ Ĥ Ĥ Ĥ	afii10099	02D8	˘ ˘ ˘ ˘	breve
0453	Ŕ Ŕ Ŕ Ŕ	afii10100	032E	̡̡̡̡	uni032E brevebelowcomb
0454	Є Є Є Є	afii10101	032F	̡̡̡̡	uni032F brevebelowinvertedcomb
0455	Ŧ Ŧ Ŧ Ŧ	afii10102	0306	̡̡̡̡	uni0306 brevecomb
0456	İ İ İ İ	afii10103	0311	̡̡̡̡	uni0311 breveinvertedcomb
0457	İ İ İ İ	afii10104	00A6		brokenbar
0458	Ј Ј Ј Ј	afii10105	2022	• • • •	bullet
0459	Љ Љ Љ Љ	afii10106	0106	Ć Ć Ć Ć	Cacute
045A	Њ Њ Њ Њ	afii10107	0107	ć ć ć ć	ccacute
045B	Ħ Ħ Ħ Ħ	afii10108	02C7	˘ ˘ ˘ ˘	caron
045C	Ǧ Ǧ Ǧ Ǧ	afii10109	030C	˘ ˘ ˘ ˘	uni030C caroncomb
045E	Ÿ Ÿ Ÿ Ÿ	afii10110	010C	Č Č Č Č	Ccaron
040F	Ц Ц Ц Ц	afii10145	010D	č č č č	ccaron
045F	Ц Ц Ц Ц	afii10193	00C7	Ç Ç Ç Ç	Ccedilla
04D9	Э Ɔ Э Ɔ	afii10846	00E7	ç ç ç ç	ccedilla
00C0	À À À À	Agrave	0108	Ĉ Ĉ Ĉ Ĉ	Ccircumflex
00E0	à à à à	agrave	0109	ĉ ĉ ĉ ĉ	ccircumflex
1EA2	Ả Ả Ả Ả	Ahookabove	010A	Ċ Ċ Ċ Ċ	Cdotaccent
1EA3	ả ả ả ả	ahookabove	010B	ċ ċ ċ ċ	cdotaccent
0391	Α Α Α Α	Alpha	00B8	ç ç ç ç	cedilla
03B1	α α α α	alpha	00A2	¢ ¢ ¢ ¢	cent
0100	Ā Ā Ā Ā	Amacron	2103	°C °C °C °C	centigrade
0101	ā ā ā ā	amacron	03A7	Χ Χ Χ Χ	Chi
2222	∠ ∠ ∠ ∠	anglearc	03C7	× × × ×	chi
2329	∠ ∠ ∠ ∠	angleleft	02C6	ˆ ˆ ˆ ˆ	circumflex
232A	∠ ∠ ∠ ∠	angleright	0302	ˆ ˆ ˆ ˆ	uni0302 circumflexcomb
0104	Ą ą ą ą	Aogonek	20A1	₯ ₯ ₯ ₯	colonmonetary
0105	ą ą ą ą	aogonek	0326	˘ ˘ ˘ ˘	uni0326 commaaccentcomb
2248	≈ ≈ ≈ ≈	aproxequal	00A9	© © © ©	copyright
00C5	Å Å Å Å	Aring	00A4	¤ ¤ ¤ ¤	currency
00E5	å å å å	aring	2020	† † † †	dagger
01FA	Ą ą ą ą	Aringacute	2021	‡ ‡ ‡ ‡	daggerdbl
01FB	ą ą ą ą	aringacute	27E6	⌊ ⌊ ⌊ ⌊	dblbracketleft
2193	↓ ↓ ↓ ↓	uni2193 arrowdown	27E7	⌋ ⌋ ⌋ ⌋	dblbracketright
2190	← ← ← ←	uni2190 arrowleft	030F	˘ ˘ ˘ ˘	uni030F dblgravecomb
2192	→ → → →	uni2192 arrowright	2016		dblverticalbar
2191	↑ ↑ ↑ ↑	uni2191 arrowup	010E	Ǧ Ǧ Ǧ Ǧ	Dcaron
2217	* * * *	asterisk.math asteriskmath	010F	ď ď ď ď	dcaron
00C3	Ã Ã Ã Ã	Atilde	0110	Ð Ð Ð Ð	Dcroat
00E3	ã ã ã ã	atilde			

0111	đ đ đ đ	dcroat	1EB9	ę ę ę ę	edotbelow
1EOC	Ḑ Ḑ Ḑ Ḑ	Ddotbelow	00C8	È È È È	Egrave
1EOD	ḑ ḑ ḑ ḑ	ddotbelow	00E8	è è è è	egrave
00B0	° ° ° °	degree	1EBA	Ě Ě Ě Ě	Ehookabove
0394	Δ Δ Δ Δ	Delta	1EBB	ě ě ě ě	ehookabove
03B4	δ δ δ δ	delta	2026	… … … …	ellipsis
2300	∅ ∅ ∅ ∅	diameter	0112	Ē Ē Ē Ē	Emacron
00A8	¨ ¨ ¨ ¨	dieresis	0113	ē ē ē ē	emacron
0308	¨ ¨ ¨ ¨	uni0308 dieresiscomb	2014	– – – –	emdash
2052	% % % %	discount	2013	– – – –	endash
00F7	÷ ÷ ÷ ÷	divide	014A	Ŋ Ŋ Ŋ Ŋ	Eng
26AE	o o o o o o o o	divorced	014B	ŋ ŋ ŋ ŋ	eng
1EOE	Ḍ Ḍ Ḍ Ḍ	Dlinebelow	0118	Ę Ę Ę Ę	Eogonek
1EOF	ḍ ḍ ḍ ḍ	dlinebelow	0119	ę ę ę ę	eogonek
20AB	đ đ đ đ	dong	0395	Ε Ε Ε Ε	Epsilon
02D9	· · · ·	dotaccent	03B5	ε ε ε ε	epsilon
0307	· · · ·	uni0307 dotaccentcomb	03F5	ε ε ε ε	epsilon.alt
0323	· · · ·	uni0323 dotbelowcomb	018E	Ǝ Ǝ Ǝ Ǝ	Ereversed
0131	ı ı ı ı	dotlessi	0258	ə ə ə ə	ereversed
00C9	É É É É	Eacute	212E	e e e e	estimated
00E9	é é é é	eacute	0397	Η Η Η Η	Eta
0114	Ě Ě Ě Ě	Ebreve	03B7	η η η η	eta
0115	ě ě ě ě	ebreve	00D0	Ð Ð Ð Ð	Eth
011A	Ě Ě Ě Ě	Ecaron	00F0	ð ð ð ð	eth
011B	ě ě ě ě	ecaron	1EBC	Ě Ě Ě Ě	Etilde
00CA	Ê Ê Ê Ê	Ecircumflex	1EBD	ẽ ẽ ẽ ẽ	etilde
00EA	ê ê ê ê	ecircumflex	01DD	ə ə ə ə	eturned
1EBE	Ê Ê Ê Ê	Ecircumflexacute	20AC	€ € € €	Euro
1EBF	ê ê ê ê	ecircumflexacute	00A1	! ! ! !	exclamdown
1EC6	Ě Ě Ě Ě	Ecircumflexdotbelow	0192	f f f f	florin
1EC7	ê ê ê ê	ecircumflexdotbelow	2044	/ / / /	fraction
1ECO	È È È È	Ecircumflexgrave	2215	/ / / /	fraction.alt
1EC1	è è è è	ecircumflexgrave	01F4	Ɔ Ɔ Ɔ Ɔ	Gacute
1EC2	Ě Ě Ě Ě	Ecircumflexhookabove	01F5	ǵ ǵ ǵ ǵ	gacute
1EC3	ě ě ě ě	ecircumflexhookabove	0393	Γ Γ Γ Γ	Gamma
1EC4	Ě Ě Ě Ě	Ecircumflextilde	03B3	γ γ γ γ	gamma
1EC5	ě ě ě ě	ecircumflextilde	011E	Ǧ Ǧ Ǧ Ǧ	Gbreve
0204	È È È È	Edblgrave	011F	ǧ ǧ ǧ ǧ	gbreve
0205	è è è è	edblgrave	01E6	Ǧ Ǧ Ǧ Ǧ	Gcaron
00CB	Ë Ë Ë Ë	Edieresis	01E7	ǧ ǧ ǧ ǧ	gcaron
00EB	ë ë ë ë	edieresis	011C	Ĝ Ĝ Ĝ Ĝ	Gcircumflex
0116	È È È È	Edotaccent	011D	ĝ ĝ ĝ ĝ	gcircumflex
0117	è è è è	edotaccent	0122	Ɔ Ɔ Ɔ Ɔ	Gcommaaccent
1EB8	Ę Ę Ę Ę	Edotbelow	0123	ǵ ǵ ǵ ǵ	gcommaaccent
			0120	Ǧ Ǧ Ǧ Ǧ	Gdotaccent
			0121	ǧ ǧ ǧ ǧ	gdotaccent

00DF	ß ß ß ß	germandbls	203D	‡ ‡ ‡ ‡	interrobang
0300	˘ ˘ ˘	uni0300 gravecomb	012E	ı ı ı ı	Iogonek
2265	≥ ≥ ≥ ≥	greaterequal	012F	ı̇ ı̇ ı̇ ı̇	iogonek
2A7E	≱ ≱ ≱ ≱	greaterequal.slant greaterorequalslant	0399	ı̇ ı̇ ı̇ ı̇	Iota
00AB	« « « «	guillemotleft	03B9	ı̇ ı̇ ı̇ ı̇	iota
00BB	» » » »	guillemotright	0128	ı̇ ı̇ ı̇ ı̇	Itilde
2039	< < < <	guilsinglleft	0129	ı̇ ı̇ ı̇ ı̇	itilde
203A	> > > >	guilsinglright	0134	ı̇ ı̇ ı̇ ı̇	Jcircumflex
0126	Ĥ Ĥ Ĥ Ĥ	Hbar	0135	ı̇ ı̇ ı̇ ı̇	jcircumflex
0127	ħ ħ ħ ħ	hbar	039A	κ κ κ κ	Kappa
1E2A	Ĥ Ĥ Ĥ Ĥ	Hbrevebelow	03BA	κ κ κ κ	kappa
1E2B	ħ ħ ħ ħ	hbrevebelow	0136	κ̇ κ̇ κ̇ κ̇	Kcommaaccent
0124	Ĥ Ĥ Ĥ Ĥ	Hcircumflex	0137	κ̇ κ̇ κ̇ κ̇	kcommaaccent
0125	ĥ ĥ ĥ ĥ	hcircumflex	0139	ı̇ ı̇ ı̇ ı̇	Lacute
1E26	Ĥ Ĥ Ĥ Ĥ	Hdieresis	013A	ı̇ ı̇ ı̇ ı̇	lacute
1E27	ħ ħ ħ ħ	hdieresis	039B	λ λ λ λ	Lambda
1E24	Ĥ Ĥ Ĥ Ĥ	Hdotbelow	03BB	λ λ λ λ	lambda
1E25	ħ ħ ħ ħ	hdotbelow	013D	ı̇ ı̇ ı̇ ı̇	Lcaron
0309	˘ ˘ ˘ ˘	uni0309 hookabovecomb	013E	ı̇ ı̇ ı̇ ı̇	lcaron
02DD	˘ ˘ ˘ ˘	hungarumlaut	013B	ı̇ ı̇ ı̇ ı̇	Lcommaaccent
030B	˘ ˘ ˘ ˘	uni030B hungarumlautcomb	013C	ı̇ ı̇ ı̇ ı̇	lcommaaccent
00CD	ı̇ ı̇ ı̇ ı̇	Iacute	013F	ı̇ ı̇ ı̇ ı̇	Ldot
00ED	ı̇ ı̇ ı̇ ı̇	iacute	0140	ı̇ ı̇ ı̇ ı̇	ldot
012C	ı̇ ı̇ ı̇ ı̇	Ibreve	1E36	ı̇ ı̇ ı̇ ı̇	Ldotbelow
012D	ı̇ ı̇ ı̇ ı̇	ibreve	1E37	ı̇ ı̇ ı̇ ı̇	ldotbelow
00CE	ı̇ ı̇ ı̇ ı̇	Icircumflex	1E38	ı̇ ı̇ ı̇ ı̇	Ldotbelowmacron
00EE	ı̇ ı̇ ı̇ ı̇	icircumflex	1E39	ı̇ ı̇ ı̇ ı̇	ldotbelowmacron
0208	ı̇ ı̇ ı̇ ı̇	Idblgrave	2264	≤ ≤ ≤ ≤	lessequal
0209	ı̇ ı̇ ı̇ ı̇	idblgrave	2A7D	≰ ≰ ≰ ≰	lessequal.slant lessorequalslant
00CF	ı̇ ı̇ ı̇ ı̇	Idieresis	0332	---	uni0332 linebelowcomb
00EF	ı̇ ı̇ ı̇ ı̇	idieresis	20A4	£ £ £ £	lira
0130	ı̇ ı̇ ı̇ ı̇	Idotaccent	00AC	¬ ¬ ¬ ¬	logicalnot
1ECA	ı̇ ı̇ ı̇ ı̇	Idotbelow	017F	ı̇ ı̇ ı̇ ı̇	longs
1ECB	ı̇ ı̇ ı̇ ı̇	idotbelow	25CA	◊ ◊ ◊ ◊	lozenge
00CC	ı̇ ı̇ ı̇ ı̇	Igrave	2113	ℓ ℓ ℓ ℓ	l.script lscript
00EC	ı̇ ı̇ ı̇ ı̇	igrave	0141	ı̇ ı̇ ı̇ ı̇	Lslash
1EC8	ı̇ ı̇ ı̇ ı̇	Ihookabove	0142	ı̇ ı̇ ı̇ ı̇	lslash
1EC9	ı̇ ı̇ ı̇ ı̇	ihookabove	00AF	- - - -	macron
0132	ı̇ ı̇ ı̇ ı̇	I J ı̇ ı̇	0331	---	uni0331 macronbelowcomb
0133	ı̇ ı̇ ı̇ ı̇	ı̇ ı̇ ı̇ ı̇	0304	---	uni0304 macroncomb
012A	ı̇ ı̇ ı̇ ı̇	Imacron	26AD	∞ ∞ ∞ ∞	married
012B	ı̇ ı̇ ı̇ ı̇	imacron	1E42	ı̇ ı̇ ı̇ ı̇	Mdotbelow
221E	∞ ∞ ∞ ∞	infinity	1E43	ı̇ ı̇ ı̇ ı̇	mdotbelow

2127	Ϸ Ϸ Ϸ Ϸ	uni2127 mho	020D	ò ò ò ò	odblgrave
2212	− − − −	minus	00D6	Ö Ö Ö Ö	Odieresis
2213	⦶ ⦶ ⦶ ⦶	minusplus	00F6	ö ö ö ö	odieresis
039C	ℳ ℳ ℳ ℳ	ℳ	1ECC	⋄ ⋄ ⋄ ⋄	Odotbelow
00B5	μ μ μ μ	mu	1ECD	⋄ ⋄ ⋄ ⋄	odotbelow
03BC	μ μ μ μ	mu.greek mu.alt	0152	Œ Œ Œ Œ	Œ
00D7	× × × ×	multiply	0153	œ œ œ œ	œ
266A	♪ ♪ ♪ ♪	uni266A musicalnote	02DB	ć ć ć ć	ogonek
0143	Ň Ň Ň Ň	Nacute	00D2	Ò Ò Ò Ò	Œgrave
0144	ń ń ń ń	ncute	00F2	ò ò ò ò	ograve
20A6	⸀ ⸀ ⸀ ⸀	naira	2126	Ω Ω Ω Ω	ohm
00A0		uni00A0 nbspace	1ECE	Ǫ Ǫ Ǫ Ǫ	Œhookabove
0147	Ń Ń Ń Ń	Ncaron	1ECF	ǫ ǫ ǫ ǫ	ohookabove
0148	ń ń ń ń	ncaron	01A0	Œ Œ Œ Œ	Œhorn
0145	Ŋ Ŋ Ŋ Ŋ	Ncommaaccent	01A1	ơ ơ ơ ơ	ohorn
0146	ŋ ŋ ŋ ŋ	ncommaaccent	1EDA	Ó Ó Ó Ó	Œhornacute
1E44	Ň Ň Ň Ň	Ndotaccent	1EDB	ó ó ó ó	ohornacute
1E45	ń ń ń ń	ndotaccent	1EE2	⋄ ⋄ ⋄ ⋄	Œhorndotbelow
1E46	Ŋ Ŋ Ŋ Ŋ	Ndotbelow	1EE3	⋄ ⋄ ⋄ ⋄	ohorndotbelow
1E47	ŋ ŋ ŋ ŋ	ndotbelow	1EDC	Ò Ò Ò Ò	Œhorngrave
2116	№ № № №	afii61352 numero	1EDD	ò ò ò ò	ohorngrave
2260	≠ ≠ ≠ ≠	notequal	1EDE	Ǫ Ǫ Ǫ Ǫ	Œhornhookabove
00D1	Ñ Ñ Ñ Ñ	Ntilde	1EDF	ǫ ǫ ǫ ǫ	ohornhookabove
00F1	ñ ñ ñ ñ	ntilde	1EE0	Õ Õ Õ Õ	Œhorntilde
039D	ℵ ℵ ℵ ℵ	ℵ	1EE1	õ õ õ õ	ohorntilde
03BD	ν ν ν ν	nu	0150	Ő Ő Ő Ő	Œhungarumlaut
00D3	Ó Ó Ó Ó	Oacute	0151	ő ő ő ő	ohungarumlaut
00F3	ó ó ó ó	oacute	014C	Ō Ō Ō Ō	Œmacron
014E	Ŏ Ŏ Ŏ Ŏ	Obreve	014D	ō ō ō ō	omacron
014F	ö ö ö ö	obreve	03A9	Ω Ω Ω Ω	Œmega
00D4	Ô Ô Ô Ô	Ocircumflex	03C9	ω ω ω ω	omega
00F4	ô ô ô ô	ocircumflex	039F	○ ○ ○ ○	Œmicron
1ED0	Ŏ Ŏ Ŏ Ŏ	Ocircumflexacute	03BF	○ ○ ○ ○	omicron
1ED1	ő ő ő ő	ocircumflexacute	00BD	½ ½ ½ ½	onehalf
1ED8	Û Û Û Û	Ocircumflexdotbelow	00BC	¼ ¼ ¼ ¼	onequarter
1ED9	û û û û	ocircumflexdotbelow	00B9	1 1 1 1	one.superior
1ED2	Ò Ò Ò Ò	Ocircumflexgrave	01EA	Œ Œ Œ Œ	Œogonek
1ED3	ò ò ò ò	ocircumflexgrave	01EB	Œ Œ Œ Œ	oogonek
1ED4	Ǫ Ǫ Ǫ Ǫ	Ocircumflexhookabove	25E6	• • • •	openbullet
1ED5	ǫ ǫ ǫ ǫ	ocircumflexhookabove	00AA	♀ ♀ ♀ ♀	ordfeminine
1ED6	Õ Õ Õ Õ	Ocircumflextilde	00BA	♂ ♂ ♂ ♂	ordmasculine
1ED7	õ õ õ õ	ocircumflextilde	00D8	Ø Ø Ø Ø	Œslash
020C	Ò Ò Ò Ò	Odblgrave	00F8	ø ø ø ø	oslash
			01FE	Œ Œ Œ Œ	Œslashacute
			01FF	ø ø ø ø	oslashacute
			00D5	Œ Œ Œ Œ	Œtilde

00F5	õ õ õ õ	otilde	03A1	Ƴ Ƴ Ƴ Ƴ	Rho
00B6	¶ ¶ ¶ ¶	paragraph	03C1	ρ ρ ρ ρ	rho
2202	∂ ∂ ∂ ∂	partialdiff	02DA	◦ ◦ ◦ ◦	ring
00B7	· · · ·	periodcentered	030A	◦ ◦ ◦	uni030A ringcomb
2031	‰ ‰ ‰ ‰	permyriad	02BF	◌◌ ◌◌ ◌◌ ◌◌	ringhalfleft
2030	‱ ‱ ‱ ‱	perthousand	02BE	◌◌ ◌◌ ◌◌ ◌◌	ringhalfright
20B1	₱ ₱ ₱ ₱	peso	015A	Ś Ś Ś Ś	Sacute
03A6	Φ Φ Φ Φ	Phi	015B	ś ś ś ś	sacute
03C6	φ φ φ φ	phi	0160	Š Š Š Š	Scaron
03D5	ϕ ϕ ϕ ϕ	uni03D5 phi.alt	0161	š š š š	scaron
03A0	Π Π Π Π	Pi	015E	Š Š Š Š	Scedilla
03C0	π π π π	pi	015F	š š š š	scedilla
03D6	ϖ ϖ ϖ ϖ	uni03D6 pi.alt	0259	⊖ ⊖ ⊖ ⊖	schwa
00B1	± ± ± ±	plusminus	015C	Ŝ Ŝ Ŝ Ŝ	Scircumflex
03A8	Ψ Ψ Ψ Ψ	Psi	015D	ŝ ŝ ŝ ŝ	scircumflex
03C8	ψ ψ ψ ψ	psi	0218	Ŧ Ŧ Ŧ Ŧ	uni0218 Scommaaccent
2117	© © © ©	published	0219	ŧ ŧ ŧ ŧ	uni0219 scommaaccent
00BF	¿ ¿ ¿ ¿	questiondown	1E62	·S ·S ·S ·S	Sdotbelow
2045	{ { { {	quillbracketleft	1E63	·s ·s ·s ·s	sdotbelow
2046	} } } }	quillbracketright	00A7	§ § § §	section
201E	“ ” “ ”	quotedblbase	2120	SM SM SM SM	servicemark
201C	“ ” “ ”	quotedblleft	00AD	– – – –	uni00AD sfthyphen
201D	“ ” “ ”	quotedblright	03A3	Σ Σ Σ Σ	Sigma
2018	‘ ’ ‘ ’	quoteleft	03C3	σ σ σ σ	sigma
2019	’ ’ ’ ’	quoteright	03C2	ς ς ς ς	uni03C2 signal
201A	, , , ,	quotesinglbase	22C6	★ ★ ★ ★	star
0154	Ŕ Ŕ Ŕ Ŕ	Racute	00A3	£ £ £ £	sterling
0155	ŕ ŕ ŕ ŕ	racute	2211	∑ ∑ ∑ ∑	summation
221A	√ √ √ √	radical	03A4	Τ Τ Τ Τ	Tau
0158	Ř Ř Ř Ř	Rcaron	03C4	τ τ τ τ	tau
0159	ř ř ř ř	rcaron	0164	Ť Ť Ť Ť	Tcaron
0156	Ŗ Ŗ Ŗ Ŗ	Rcommaaccent	0165	ť ź ź ź	tcaron
0157	ŗ ř ř ř	rcommaaccent	0162	Ț Ț Ț Ț	Tcedilla
0210	Ř Ř Ř Ř	Rdblgrave	0163	ț ț ț ț	tcedilla
0211	ř ř ř ř	rdblgrave	021A	Ț Ț Ț Ț	uni021A Tcommaaccent
1E58	Ŗ Ŗ Ŗ Ŗ	Rdotaccent	021B	ț ț ț ț	uni021B tcommaaccent
1E59	ŗ ř ř ř	rdotaccent	1E97	ü ü ü ü	tdieresis
1E5A	Ŗ Ŗ Ŗ Ŗ	Rdotbelow	1E6C	Ț Ț Ț Ț	Tdotbelow
1E5B	ŗ ř ř ř	rdotbelow	1E6D	ț ț ț ț	tdotbelow
1E5C	Ř Ř Ř Ř	Rdotbelowmacron	0398	Θ Θ Θ Θ	Theta
1E5D	ř ř ř ř	rdotbelowmacron	03B8	θ θ θ θ	theta
211E	℞ ℞ ℞ ℞	recipe	03D1	ϑ ϑ ϑ ϑ	uni03D1 theta.alt
203B	※ ※ ※ ※	referencemark	00DE	Þ Þ Þ Þ	Thorn
00AE	® ® ® ®	registered			

00FE	þ þ þ þ	thorn	045D	ÿ ÿ ÿ ÿ	uni045D
00BE	¾ ¾ ¾ ¾	threequarters	048C	Б Б Б Б	uni048C
00B3	³ ³ ³ ³	three.superior	048D	Ь Ъ Ъ Ъ	uni048D
02DC	~ ~ ~ ~	tilde	048E	Р Р Р Р	uni048E
0330	~~~~	uni0330 tildebelowcomb	048F	Р Р Р Р	uni048F
0303	~~~~	uni0303 tildecomb	0492	ƒ ƒ ƒ ƒ	uni0492
1E6E	Ṫ Ṫ Ṫ Ṫ	Tlinebelow	0493	ƒ ƒ ƒ ƒ	uni0493
1E6F	ṽ ṽ ṽ ṽ	tlinebelow	0494	Г Г Г Г	uni0494
2122	™ ™ ™ ™	trademark	0495	Г Г Г Г	uni0495
00B2	² ² ² ²	two.superior	0496	Ж Ж Ж Ж	uni0496
00DA	Ú Ú Ú Ú	Uacute	0497	Ж Ж Ж Ж	uni0497
00FA	ú ú ú ú	uacute	0498	З З З З	uni0498
016C	Ů Ů Ů Ů	Ubreve	0499	з з з з	uni0499
016D	ů ů ů ů	ubreve	049A	Қ Қ Қ Қ	uni049A
00DB	Û Û Û Û	Ucircumflex	049B	қ қ қ қ	uni049B
00FB	û û û û	ucircumflex	049C	К К К К	uni049C
0214	Û Û Û Û	Udblgrave	049D	к к к к	uni049D
0215	ù ù ù ù	udblgrave	049E	К К К К	uni049E
00DC	Û Û Û Û	Udieresis	049F	к к к к	uni049F
00FC	ü ü ü ü	udieresis	04A0	К К К К	uni04A0
1EE4	Ṫ Ṫ Ṫ Ṫ	Udotbelow	04A1	к к к к	uni04A1
1EE5	ṽ ṽ ṽ ṽ	udotbelow	04A2	Ң Ң Ң Ң	uni04A2
00D9	Ù Ù Ù Ù	Ugrave	04A3	ң ң ң ң	uni04A3
00F9	ù ù ù ù	ugrave	04A4	Н Н Н Н	uni04A4
1EE6	Ů Ů Ů Ů	Uhookabove	04A5	н н н н	uni04A5
1EE7	ů ů ů ů	uhookabove	04A6	П П П П	uni04A6
01AF	Ů Ů Ů Ů	Uhorn	04A7	п п п п	uni04A7
01B0	u u u u	uhorn	04A8	С С С С	uni04A8
1EE8	Ů Ů Ů Ů	Uhornacute	04A9	с с с с	uni04A9
1EE9	ú ú ú ú	uhornacute	04AA	С С С С	uni04AA
1EF0	Ṫ Ṫ Ṫ Ṫ	Uhorndotbelow	04AB	с с с с	uni04AB
1EF1	ṽ ṽ ṽ ṽ	uhorndotbelow	04AC	Т Т Т Т	uni04AC
1EEA	Û Û Û Û	Uhorngrave	04AD	т т т т	uni04AD
1EEB	ù ù ù ù	uhorngrave	04AE	Y Y Y Y	uni04AE
1EEC	Ů Ů Ů Ů	Uhornhookabove	04AF	Y Y Y Y	uni04AF
1EED	ů ů ů ů	uhornhookabove	04B0	Y Y Y Y	uni04B0
1EEE	Ů Ů Ů Ů	Uhorntilde	04B1	Y Y Y Y	uni04B1
1EEF	ů ů ů ů	uhorntilde	04B2	X X X X	uni04B2
0170	Ů Ů Ů Ů	Uhungarumlaut	04B3	x x x x	uni04B3
0171	ú ú ú ú	uhungarumlaut	04B4	Ц Ц Ц Ц	uni04B4
016A	Ū Ū Ū Ū	Umacron	04B5	ц ц ц ц	uni04B5
016B	ū ū ū ū	umacron	04B6	Ч Ч Ч Ч	uni04B6
0400	È È È È	uni0400	04B7	ч ч ч ч	uni04B7
040D	ÿ ÿ ÿ ÿ	uni040D	04B8	Ч Ч Ч Ч	uni04B8
0450	è è è è	uni0450	04B9	ч ч ч ч	uni04B9

04BA	ĥ ĥ ĥ ĥ	uni04BA	04EF	Ȳ Ȳ Ȳ Ȳ	uni04EF
04BB	ħ ħ ħ ħ	uni04BB	04F0	ȳ ȳ ȳ ȳ	uni04F0
04BC	Ċ Ċ Ċ Ċ	uni04BC	04F1	ȴ ȴ ȴ ȴ	uni04F1
04BD	ċ ċ ċ ċ	uni04BD	04F2	ȵ ȵ ȵ ȵ	uni04F2
04BE	Ĉ Ĉ Ĉ Ĉ	uni04BE	04F3	ȶ ȶ ȶ ȶ	uni04F3
04BF	ĉ ĉ ĉ ĉ	uni04BF	04F4	č č č č	uni04F4
04C0	Ī Ī Ī Ī	uni04C0	04F5	ċ ċ ċ ċ	uni04F5
04C1	ǰ ǰ ǰ ǰ	uni04C1	04F8	Ď Ď Ď Ď	uni04F8
04C2	ǧ ǧ ǧ ǧ	uni04C2	04F9	đ đ đ đ	uni04F9
04C3	Ɔ Ɔ Ɔ Ɔ	uni04C3	0172	Ɔ Ɔ Ɔ Ɔ	Uogonek
04C4	к к к к	uni04C4	0173	ƭ ƭ ƭ ƭ	uogonek
04C7	Ĥ Ĥ Ĥ Ĥ	uni04C7	03A5	Ʈ Ʈ Ʈ Ʈ	Upsilon
04C8	ĥ ĥ ĥ ĥ	uni04C8	03C5	ϭ ϭ ϭ ϭ	upsilon
04CB	Ч Ч Ч Ч	uni04CB	016E	Ů Ů Ů Ů	Uring
04CC	ч ч ч ч	uni04CC	016F	ů ů ů ů	uring
04D0	Ǻ Ǻ Ǻ Ǻ	uni04D0	0168	Ū Ū Ū Ū	Utilde
04D1	ǻ ǻ ǻ ǻ	uni04D1	0169	ũ ã ũ ã	utilde space.visible
04D2	Ǽ Ǽ Ǽ Ǽ	uni04D2	2423	␣ ␣ ␣ ␣	visiblespace
04D3	ǿ ǿ ǿ ǿ	uni04D3	1E82	Ŵ Ŵ Ŵ Ŵ	Wacute
04D4	Æ Æ Æ Æ	uni04D4	1E83	ŵ ŵ ŵ ŵ	wacute
04D5	æ æ æ æ	uni04D5	0174	Ŷ Ŷ Ŷ Ŷ	Wcircumflex
04D6	Ě Ě Ě Ě	uni04D6	0175	ŷ ŷ ŷ ŷ	wcircumflex
04D7	ě ě ě ě	uni04D7	1E84	Ŵ Ŵ Ŵ Ŵ	Wdieresis
04D8	Ɔ Ɔ Ɔ Ɔ	uni04D8	1E85	ŵ ŵ ŵ ŵ	wdieresis
04DA	Ǫ Ǫ Ǫ Ǫ	uni04DA	2118	Ʒ Ʒ Ʒ Ʒ	weierstrass
04DB	ǫ ǫ ǫ ǫ	uni04DB	1E80	Ŷ Ŷ Ŷ Ŷ	Wgrave
04DC	ǰ ǰ ǰ ǰ	uni04DC	1E81	ŵ ŵ ŵ ŵ	wgrave
04DD	ǧ ǧ ǧ ǧ	uni04DD	20A9	Ƶ Ƶ Ƶ Ƶ	won
04DE	Ǻ Ǻ Ǻ Ǻ	uni04DE	039E	Ξ Ξ Ξ Ξ	Xi
04DF	ǻ ǻ ǻ ǻ	uni04DF	03BE	Ξ Ξ Ξ Ξ	xi
04E0	Ɔ Ɔ Ɔ Ɔ	uni04E0	00DD	Ŷ Ŷ Ŷ Ŷ	Yacute
04E1	з з з з	uni04E1	00FD	Ŷ Ŷ Ŷ Ŷ	yacute
04E2	Ȧ Ȧ Ȧ Ȧ	uni04E2	0176	Ŷ Ŷ Ŷ Ŷ	Ycircumflex
04E3	ȧ ȧ ȧ ȧ	uni04E3	0177	Ŷ Ŷ Ŷ Ŷ	ycircumflex
04E4	Ȩ Ȩ Ȩ Ȩ	uni04E4	0178	Ŷ Ŷ Ŷ Ŷ	Ydieresis
04E5	ȩ ȩ ȩ ȩ	uni04E5	00FF	Ŷ Ŷ Ŷ Ŷ	ydieresis
04E6	Ö Ö Ö Ö	uni04E6	1EF4	Ỳ Ỳ Ỳ Ỳ	Ydotbelow
04E7	ö ö ö ö	uni04E7	1EF5	Ỳ Ỳ Ỳ Ỳ	ydotbelow
04E8	Ɔ Ɔ Ɔ Ɔ	uni04E8	00A5	¥ ¥ ¥ ¥	yen
04E9	Ɔ Ɔ Ɔ Ɔ	uni04E9	1EF2	Ỳ Ỳ Ỳ Ỳ	Ygrave
04EA	Ǫ Ǫ Ǫ Ǫ	uni04EA	1EF3	Ỳ Ỳ Ỳ Ỳ	ygrave
04EB	ǫ ǫ ǫ ǫ	uni04EB	1EF6	Ỳ Ỳ Ỳ Ỳ	Yhookabove
04EC	ǻ ǻ ǻ ǻ	uni04EC	1EF7	Ỳ Ỳ Ỳ Ỳ	yhookabove
04ED	ǿ ǿ ǿ ǿ	uni04ED	1EF8	Ỳ Ỳ Ỳ Ỳ	Ytilde
04EE	Ȳ Ȳ Ȳ Ȳ	uni04EE	1EF9	Ȳ Ȳ Ȳ Ȳ	ytilde

0179	Ž ž Ž ž	Zacute	017C	ẏ ẏ ẏ ẏ	zdotaccent
017A	ž ž ž ž	zacute	1E92	Ẓ Ẓ Ẓ Ẓ	Zdotbelow
017D	Ž Ž Ž Ž	Zcaron	1E93	Ẑ Ẑ Ẑ Ẑ	zdotbelow
017E	ž ž ž ž	zcaron	0396	Ζ Ζ Ζ Ζ	Zeta
017B	Ž Ž Ž Ž	Zdotaccent	03B6	ζ ζ ζ ζ	zeta

4. Private unicodes [sc] E000 .. E058

E000	Ă Ă Ă Ă	abreveacute.sc	E026	Ĥ Ĥ Ĥ Ĥ	h_uni0303.sc htilde.sc
E001	ă ă ă ă	abrevedotbelow.sc	E027	İ İ İ İ	idblgrave.sc
E002	Ă Ă Ă Ă	abrevegrave.sc	E028	ı ı ı ı	idotbelow.sc
E003	Ă Ă Ă Ă	abrevehookabove.sc	E029	İ İ İ İ	ihookabove.sc
E004	Ă Ă Ă Ă	abrevetilde.sc	E058	ı ı ı ı	imacron.alt.sc
E005	Ă Ă Ă Ă	acircumflexacute.sc	E02A	ı ı ı ı	iogonekacute.sc
E006	Ă Ă Ă Ă	acircumflexdotbelow.sc	E02B	Ј Ј Ј Ј	jacute.sc
E007	Ă Ă Ă Ă	acircumflexgrave.sc	E02C	Ł Ł Ł Ł	lslash.sc l_uni0303.sc
E008	Ă Ă Ă Ă	acircumflexhookabove.sc	E02D	Ł Ł Ł Ł	ltilde.sc
E009	Ă Ă Ă Ă	acircumflextilde.sc	E02E	Ó Ó Ó Ó	ocircumflexacute.sc
E00A	Ă Ă Ă Ă	adblgrave.sc	E02F	Ô Ô Ô Ô	ocircumflexdotbelow.sc
E00B	Ạ Ạ Ạ Ạ	adotbelow.sc	E030	ỒỒỒỒ	ocircumflexgrave.sc
E00C	Ả Ả Ả Ả	ahookabove.sc	E031	ỔỔỔỔ	ocircumflexhookabove.sc
E00E	Ả Ả Ả Ả	aogonekacute.sc	E032	Ỗ Ỗ Ỗ Ỗ	ocircumflextilde.sc
E00F	Ả Ả Ả Ả	aringacute.sc	E033	Ỗ Ỗ Ỗ Ỗ	odblgrave.sc
E010	Đ Đ Đ Đ	dcroat.sc	E034	Ơ Ơ Ơ Ơ	odotbelow.sc
E011	Đ Đ Đ Đ	ddotbelow.sc	E035	Œ Œ Œ Œ	oe.sc
E012	Đ Đ Đ Đ	dlinebelow.sc	E036	Ỏ Ỏ Ỏ Ỏ	ohookabove.sc
E013	І І І І	dotlessi.sc	E037	Ơ Ơ Ơ Ơ	ohorn.sc
E014	Ј Ј Ј Ј	dotlessj.sc	E038	Ó Ó Ó Ó	ohornacute.sc
E017	É É É É	ecircumflexacute.sc	E039	Ơ Ơ Ơ Ơ	ohorndotbelow.sc
E018	Ê Ê Ê Ê	ecircumflexdotbelow.sc	E03A	Ờ Ờ Ờ Ờ	ohorngrave.sc
E019	Ê Ê Ê Ê	ecircumflexgrave.sc	E03B	Ở Ở Ở Ở	ohornhookabove.sc
E01A	Ê Ê Ê Ê	ecircumflexhookabove.sc	E03C	Ỗ Ỗ Ỗ Ỗ	ohorntilde.sc
E01B	Ê Ê Ê Ê	ecircumflextilde.sc	E03D	Ơ Ơ Ơ Ơ	oogonek.sc
E01C	È È È È	edblgrave.sc	E03E	Ớ Ớ Ớ Ớ	oogonekacute.sc
E01D	Ẹ Ẹ Ẹ Ẹ	edotbelow.sc	E03F	Ř Ř Ř Ř	rdblgrave.sc
E01E	Ẻ Ẻ Ẻ Ẻ	ehookabove.sc	E040	Ř Ř Ř Ř	rdotaccent.sc
E01F	Ế Ế Ế Ế	eogonekacute.sc	E041	Š Š Š Š	scaron.sc
E015	Ǝ Ǝ Ǝ Ǝ	ereversed.sc	E042	Ş Ş Ş Ş	sdotbelow.sc
E020	Ë Ë Ë Ë	etilde.sc	E043	Ț Ț Ț Ț	tcedilla.sc
E016	Ǝ Ǝ Ǝ Ǝ	eturned.sc	E044	Ț Ț Ț Ț	tdieresis.sc
E021	Ć Ć Ć Ć	gacute.sc	E045	Ț Ț Ț Ț	tdotbelow.sc
E022	Ĝ Ĝ Ĝ Ĝ	gcaron.sc	E046	Ț Ț Ț Ț	tlinebelow.sc
E023	Œ Œ Œ Œ	germandbls.sc	E047	ĩ ĩ ĩ ĩ	t_uni0303.sc ttilde.sc
E024	Ĥ Ĥ Ĥ Ĥ	hbrevebelow.sc	E049	Ū Ū Ū Ū	ubrevebelowinverted.sc
E025	Ĥ Ĥ Ĥ Ĥ	hdieresis.sc			

E04A	ù ù ù ù	udblgrave.sc	E051	ǔ ǔ ǔ ǔ	uhornhookabove.sc
E04B	ẏ ẏ ẏ ẏ	udotbelow.sc	E052	ũ ũ ũ ũ	uhorntilde.sc
E04C	ǖ ǖ ǖ ǖ	uhookabove.sc	E053	ẏ ẏ ẏ ẏ	ydotbelow.sc
E04D	Ƴ Ƴ Ƴ Ƴ	uhorn.sc	E054	ŷ ŷ ŷ ŷ	yhookabove.sc
E04E	ú ú ú ú	uhornacute.sc	E055	ÿ ÿ ÿ ÿ	ytilde.sc
E04F	ẏ ẏ ẏ ẏ	uhorndotbelow.sc	E056	ž ž ž ž	zcaron.sc
E050	ù ù ù ù	uhorngrave.sc	E057	ẏ ẏ ẏ ẏ	zdotbelow.sc

5. Private [ligs] unicodes E800 .. E804, empty in this font

6. Private [acc] unicodes EA00 .. EA44, see also sec. 9

EA00	´ ´ ´ ´	acute.cap Acute	EA1B	ˆ ˆ ˆ ˆ	space_uni0302_uni0309.cap Circumflexhookabove
EA01	ˆ ˆ ˆ	uni0301.cap Acutecomb	EA1C	ˆ ˆ ˆ ˆ	space_uni0302_uni0309 circumflexhookabove
EA02	˘ ˘ ˘ ˘	breve.cap Breve	EA1D	˘ ˘ ˘ ˘	space_uni0302_uni0303.cap Circumflextilde
EA03	˘ ˘ ˘ ˘	space_uni0306_uni0301.cap Breveacute	EA1E	˘ ˘ ˘ ˘	space_uni0302_uni0303 circumflextilde
EA04	˘ ˘ ˘ ˘	space_uni0306_uni0301 breveacute	EA1F	˘ ˘ ˘ ˘	space_uni0326 commaaccent
EA05	˘ ˘ ˘ ˘	space_uni032E brevebelow	EA21	˘ ˘ ˘ ˘	breve.cyr cyrBreve
EA06	˘ ˘ ˘ ˘	space_uni032F brevebelowinverted	EA22	˘ ˘ ˘ ˘	breve.cyr cyrbreve
EA07	˘ ˘ ˘	uni0306.cap Brevecomb	EA23	˘ ˘ ˘ ˘	circumflex.cyr cyrFlex
EA08	˘ ˘ ˘ ˘	space_uni0306_uni0300.cap Brevegrave	EA24	˘ ˘ ˘ ˘	circumflex.cyr cyrflex
EA09	˘ ˘ ˘ ˘	space_uni0306_uni0300 brevegrave	EA25	˘ ˘ ˘ ˘	space_uni030F.cap dblGrave
EA0A	˘ ˘ ˘ ˘	space_uni0306_uni0309.cap Brevehookabove	EA26	˘ ˘ ˘ ˘	space_uni030F dblgrave
EA0B	˘ ˘ ˘ ˘	space_uni0306_uni0309 brevehookabove	EA27	˘ ˘ ˘ ˘	uni030F.cap dblGravecomb
EA0C	˘ ˘ ˘ ˘	space_uni0311.cap Breveinverted	EA28	˘ ˘ ˘ ˘	dieresis.cap Dieresis
EA0D	˘ ˘ ˘ ˘	space_uni0311 breveinverted	EA2B	˘ ˘ ˘ ˘	uni0308.cap Dieresiscomb
EA0E	˘ ˘ ˘	uni0311.cap Breveinvertedcomb	EA2E	˘ ˘ ˘ ˘	dotaccent.cap Dotaccent
EA0F	˘ ˘ ˘ ˘	space_uni0306_uni0303.cap Brevetilde	EA2F	˘ ˘ ˘ ˘	uni0307.cap Dotaccentcomb
EA10	˘ ˘ ˘ ˘	space_uni0306_uni0303 brevetilde	EA30	˘ ˘ ˘ ˘	grave.cap Grave
EA11	˘ ˘ ˘ ˘	caron.cap Caron	EA31	˘ ˘ ˘	uni0300.cap Gravecomb
EA14	˘ ˘ ˘	uni030C.cap Caroncomb	EA32	˘ ˘ ˘ ˘	space_uni0309.cap Hookabove
EA15	˘ ˘ ˘ ˘	circumflex.cap Circumflex	EA33	˘ ˘ ˘ ˘	space_uni0309 hookabove
EA16	˘ ˘ ˘ ˘	space_uni0302_uni0301.cap Circumflexacute	EA34	˘ ˘ ˘	uni0309.cap Hookabovecomb
EA17	˘ ˘ ˘ ˘	space_uni0302_uni0301 circumflexacute	EA35	˘ ˘ ˘ ˘	space_uni031B horn
EA18	˘ ˘ ˘	uni0302.cap Circumflexcomb	EA36	˘ ˘ ˘ ˘	hungarumlaut.cap Hungarumlaut
EA19	˘ ˘ ˘ ˘	space_uni0302_uni0300.cap Circumflexgrave	EA37	˘ ˘ ˘ ˘	uni030B.cap Hungarumlautcomb
EA1A	˘ ˘ ˘ ˘	space_uni0302_uni0300 circumflexgrave			

EA38	- - - -	space_uni0332 linebelow	EA3F	◌ ◌ ◌ ◌	space_uni030A_uni0301.cap Ringacute
EA39	- - - -	macron.cap Macron	EA40	◌ ◌ ◌ ◌	space_uni030A_uni0301 ringacute
EA3A	· · · ·	macron.cap.alt Macron.alt	EA41	◦ ◦ ◦ ◦	uni030A.cap Ringcomb
EA3B	· · · ·	macron.alt	EA42	~ ~ ~ ~	tilde.cap Tilde
EA3C	- - - -	space_uni0331 macronbelow	EA43	~ ~ ~ ~	space_uni0330 tildebelow
EA3D	- - - -	uni0304.cap Macroncomb	EA44	~ ~ ~ ~	uni0303.cap Tildecomb
EA3E	◦ ◦ ◦ ◦	ring.cap Ring			

7. Private [misc] unicodes EB00 .. uniEB7D and uniEC00 .. uniEC08

EB02	´ ´ ´ ´	acute.ts1	EB40	☞ ☞ ☞ ☞	leaf
EB03	Ǻ Ǻ Ǻ Ǻ	Aogonekacute	EB43	- - - -	macron.ts1
EB04	ǻ ǻ ǻ ǻ	aogonekacute	EB48	Ǿ Ǿ Ǿ Ǿ	Oogonekacute
EB05	@ @ @ @	at.alt	EB49	ǿ ǿ ǿ ǿ	oogonekacute
EB08	○ ○ ○ ○	bigcircle	EB4C	¶ ¶ ¶ ¶	paragraph.alt
EB09	★ ★ ★ ★	star.alt born	EB4D	◌ ◌ ◌ ◌	perthousandzero
EB0A	˘ ˘ ˘ ˘	breve.ts1	EB52	“ “ “ “	quotedblbase.ts1
EB0D	ˇ ˇ ˇ ˇ	caron.ts1	EB56	‘ ‘ ‘ ‘	quotesinglbase.ts1
EB0F	☉ ☉ ☉ ☉	copyleft	EB57	’ ’ ’ ’	quotesingle.ts1
EB10		cwm	EB5A	® ® ® ®	registered.alt
EB11		cwmascender	EB5B	ϱ ϱ ϱ ϱ	rho.alt
EB12		cwmcapital	EB61	⁀ ⁀ ⁀ ⁀	suppress
EB15	˘ ˘ ˘ ˘	dblgrave.ts1	EB63	͂ ͂ ͂ ͂	tieaccentcapital
EB16	† † † †	died	EB64	̓ ̓ ̓ ̓	tieaccentcapital.new
EB17	¨ ¨ ¨ ¨	dieresis.ts1	EB65	̈́ ̈́ ̈́ ̈́	tieaccentlowercase
EB19	· · · ·	space_uni0323 dotbelow	EB66	ͅ ͅ ͅ ͅ	tieaccentlowercase.new
EB1E	É É É É	Eogonekacute	EB67	~ ~ ~ ~	asciitilde.low tildelow
EB1F	Ě Ě Ě Ě	eogonekacute	EB6B	— — — —	emdash.alt twelveudash
EB28	Œ Œ Œ Œ	S_S Germandbls	EB6E	ᵘ ᵘ ᵘ ᵘ	U_uni032F Ubrevebelowinverted
EB29	ı ı ı ı	gnaborretni	EB6F	ᵚ ᵚ ᵚ ᵚ	u_uni032F ubrevebelowinverted
EB2A	` ` ` `	grave.ts1	EC08	Ĥ Ĥ Ĥ Ĥ	H_uni0303 Htilde
EB2B	Ĝ Ĝ Ĝ Ĝ	guarani	EC09	ĥ ĥ ĥ ĥ	h_uni0303 htilde
EB2E	˝ ˝ ˝ ˝	hungarumlaut.ts1	EC07	İ İ İ İ	I_macron.alt
EB2F	- - - -	hyphen.alt	EC06	ı ı ı ı	imacron.alt
EB30	- - - -	hyphen.prop	EC0A	Ł Ł Ł Ł	L_uni0303 Ltilde
EB31	= = = =	hyphendbl	EC0B	ł ł ł ł	l_uni0303 ltilde
EB32	= = = =	hyphendbl.alt	EC0E	Ț Ț Ț Ț	T_uni0308 Tdieresis
EB35	Ț Ț Ț Ț	Iogonekacute	EC0C	Ț Ț Ț Ț	T_uni0303 Ttilde
EB36	ț ț ț ț	ioogonekacute	EC0D	ț ț ț ț	t_uni0303 ttilde
EB3A	Ǻ Ǻ Ǻ Ǻ	Jacute			
EB3B	ǻ ǻ ǻ ǻ	jacute			

8. Private unicodes [math] ED00 .. ED7A, empty so far

9. Adobe Glyph List 2.00 private unicodes and Adobe Corporate Use Subarea

F761	A A A A	a.sc	F734	4 4 4 4	four.oldstyle
F7E1	Á Á Á Á	aacute.sc	F647	4 4 4 4	four.taboldstyle
F66D	Ă Ă Ă Ă	abreve.sc	F767	G G G G	g.sc
F7E2	Â Â Â Â	acircumflex.sc	F67D	Ğ Ğ Ğ Ğ	gbreve.sc
F7E4	Ä Ä Ä Ä	adieresis.sc	F67E	Ê Ê Ê Ê	gcircumflex.sc
F7E6	Æ Æ Æ Æ	ae.sc	F67F	Ɔ Ɔ Ɔ Ɔ	gcommaaccent.sc
F670	É É É É	aeacute.sc	F680	Ġ Ġ Ġ Ġ	gdotaccent.sc
F7E0	À À À À	agrave.sc	F768	H H H H	h.sc
F66E	Ā Ā Ā Ā	amacron.sc	F681	Ħ Ħ Ħ Ħ	hbar.sc
F66F	Ą ą Ą ą	aogonek.sc	F682	Ĥ Ĥ Ĥ Ĥ	hcircumflex.sc
F7E5	Å Å Å Å	aring.sc	F769	I I I I	i.sc
F7E3	Ã Ã Ã Ã	atilde.sc	F7ED	Í Í Í Í	iacute.sc
F762	B B B B	b.sc	F683	İ İ İ İ	ibreve.sc
F763	C C C C	c.sc	F7EE	Î Î Î Î	icircumflex.sc
F671	Ć Ć Ć Ć	cacute.sc	F7EF	Ï Ï Ï Ï	idieresis.sc
F672	Č Č Č Č	ccaron.sc	F6AD	İ İ İ İ	idotaccent.sc
F7E7	Ç Ç Ç Ç	ccedilla.sc	F7EC	Ì Ì Ì Ì	igrave.sc
F673	Ĉ Ĉ Ĉ Ĉ	ccircumflex.sc	F684	ı ı ı ı	i_j.sc ij.sc
F674	Ċ Ċ Ċ Ċ	cdotaccent.sc	F685	Ī Ī Ī Ī	imacron.sc
F7A2	Ċ Ċ Ċ Ċ	cent.oldstyle	F686	ı ı ı ı	iogonek.sc
F764	D D D D	d.sc	F687	İ İ İ İ	itilde.sc
F675	Ǿ Ǿ Ǿ Ǿ	dcaron.sc	F76A	J J J J	j.sc
F724	₰ ₰ ₰ ₰	dollar.oldstyle	F688	Ĵ Ĵ Ĵ Ĵ	jcircumflex.sc
F6BE	J J J J	dotlessj	F76B	K K K K	k.sc
F765	E E E E	e.sc	F689	Ɔ Ɔ Ɔ Ɔ	kcommaaccent.sc
F7E9	É É É É	eacute.sc	F76C	L L L L	l.sc
F677	Ě Ě Ě Ě	ebreve.sc	F68A	Ł Ł Ł Ł	lacute.sc
F678	Ě Ě Ě Ě	ecaron.sc	F68B	Ł Ł Ł Ł	lcaron.sc
F7EA	Ê Ê Ê Ê	ecircumflex.sc	F68C	Ł Ł Ł Ł	lcommaaccent.sc
F7EB	Ë Ë Ë Ë	edieresis.sc	F68D	Ł Ł Ł Ł	ldot.sc
F679	È È È È	edotaccent.sc	F76D	M M M M	m.sc
F7E8	È È È È	egrave.sc	F76E	N N N N	n.sc
F640	8 8 8 8	eight.prop	F68E	Ń Ń Ń Ń	nacute.sc
F738	8 8 8 8	eight.oldstyle	F68F	Ñ Ñ Ñ Ñ	ncaron.sc
F64B	8 8 8 8	eight.taboldstyle	F690	Ŋ Ŋ Ŋ Ŋ	ncommaaccent.sc
F67A	Ē Ē Ē Ē	emacron.sc	F641	9 9 9 9	nine.prop
F67B	Ŋ Ŋ Ŋ Ŋ	eng.sc	F739	9 9 9 9	nine.oldstyle
F67C	Ę ę Ę ę	eogonek.sc	F64C	9 9 9 9	nine.taboldstyle
F7F0	Ð Ð Ð Ð	eth.sc	F7F1	Ñ Ñ Ñ Ñ	ntilde.sc
F766	F F F F	f.sc	F76F	O O O O	o.sc
F63D	5 5 5 5	five.prop	F7F3	Ó Ó Ó Ó	oacute.sc
F735	5 5 5 5	five.oldstyle	F691	Ö Ö Ö Ö	obreve.sc
F648	5 5 5 5	five.taboldstyle	F7F4	Ô Ô Ô Ô	ocircumflex.sc
F63C	4 4 4 4	four.prop			

F7F6	ö ö ö ö	odieresis.sc	F646	3 3 3 3	three.taboldstyle
F7F2	ò ò ò ò	ograve.sc	F63A	2 2 2 2	two.prop
F692	ó ó ó ó	ohungarumlaut.sc	F732	2 2 2 2	two.oldstyle
F693	ō ō ō ō	omacron.sc	F645	2 2 2 2	two.taboldstyle
F6DC	1 1 1 1	one.prop	F775	U U U U	u.sc
F731	1 1 1 1	one.oldstyle	F7FA	ú ú ú ú	uacute.sc
F644	1 1 1 1	one.taboldstyle	F69F	ů ů ů ů	ubreve.sc
F7F8	ø ø ø ø	oslash.sc	F7FB	û û û û	ucircumflex.sc
F694	ó ó ó ó	oslashacute.sc	F7FC	ü ü ü ü	udieresis.sc
F7F5	õ õ õ õ	otilde.sc	F7F9	ù ù ù ù	ugrave.sc
F770	P P P P	p.sc	F6A0	ű ű ű ű	uhungarumlaut.sc
F771	Q Q Q Q	q.sc	F6A1	ū ū ū ū	umacron.sc
F772	R R R R	r.sc	F6A2	ȳ ȳ ȳ ȳ	uogonek.sc
F695	ř ř ř ř	racute.sc	F6A3	ů ů ů ů	uring.sc
F696	ř ř ř ř	rcaron.sc	F6A4	ũ ã ũ ã	utilde.sc
F697	ř ř ř ř	rcommaaccent.sc	F776	v v v v	v.sc
F773	s s s s	s.sc	F777	w w w w	w.sc
F698	ś ś ś ś	sacute.sc	F6A5	ŵ ŵ ŵ ŵ	wacute.sc
F699	ş ş ş ş	scedilla.sc	F6A6	ŵ ŵ ŵ ŵ	wcircumflex.sc
F69A	š š š š	scircumflex.sc	F6A7	ŵ ŵ ŵ ŵ	wdieresis.sc
F69B	ş ş ş ş	uni0219.sc scommaaccent.sc	F6A8	Ẁ ẁ Ẁ ẁ	wgrave.sc
F63F	7 7 7 7	seven.prop	F778	x x x x	x.sc
F737	7 7 7 7	seven.oldstyle	F779	y y y y	y.sc
F64A	7 7 7 7	seven.taboldstyle	F7FD	ý ý ý ý	yacute.sc
F63E	6 6 6 6	six.prop	F6A9	ÿ ŷ ÿ ŷ	ycircumflex.sc
F736	6 6 6 6	six.oldstyle	F7FF	ÿ ŷ ÿ ŷ	ydieresis.sc
F649	6 6 6 6	six.taboldstyle	F6AA	ÿ ÿ ÿ ÿ	ygrave.sc
F774	T T T T	t.sc	F77A	z z z z	z.sc
F69D	ť ť ť ť	tcaron.sc	F6AB	ž ž ž ž	zacute.sc
F69E	ť ť ť ť	uni021B.sc tcommaaccent.sc	F6AC	ž ž ž ž	zdotaccent.sc
F7FE	þ þ þ þ	thorn.sc	F639	0 0 0 0	zero.prop
F63B	3 3 3 3	three.prop	F638	0 0 0 0	zero.slash
F733	3 3 3 3	three.oldstyle	F730	o o o o	zero.oldstyle
F6DE	— — — —	threequartersemdash	F643	o o o o	zero.taboldstyle

T_EX Gyre Cursor: CS (CS TUG) encoding table

0 x00 �	35 x23 #	70 x46 F	105 x69 i	142 x8E k	186 xBA �	221 xDD �
1 x01 	36 x24 \$	71 x47 G	106 x6A j	143 x8F l	187 xBB �	222 xDE �
2 x02 	37 x25 %	72 x48 H	107 x6B k	144 x90 m	188 xBC �	224 xE0 �
3 x03 	38 x26 &	73 x49 I	108 x6C l	149 x95 r	189 xBD �	225 xE1 �
4 x04 	39 x27 '	74 x4A J	109 x6D m	150 x96 o	190 xBE �	226 xE2 �
5 x05 	40 x28 (75 x4B K	110 x6E n	151 x97 p	191 xBF �	227 xE3 �
6 x06 	41 x29)	76 x4C L	111 x6F o	152 x98 �	192 xC0 �	228 xE4 �
7 x07 	42 x2A *	77 x4D M	112 x70 p	154 x9A ,	193 xC1 �	229 xE5 �
8 x08 	43 x2B +	78 x4E N	113 x71 q	156 x9C -	194 xC2 �	230 xE6 �
9 x09	44 x2C	79 x4F O	114 x72 r	157 x9D .	195 xC3 �	231 xE7 �
10 x0A 	45 x2D �	80 x50 P	115 x73 s	158 x9E <	196 xC4 �	232 xE8 �
11 x0B 	46 x2E �	81 x51 Q	116 x74 t	159 x9F >	197 xC5 �	233 xE9 �
12 x0C 	47 x2F /	82 x52 R	117 x75 u	161 xA1 �	199 xC7 �	234 xEA �
13 x0D 	48 x30 0	83 x53 S	118 x76 v	163 xA3 �	200 xC8 �	235 xEB �
14 x0E 	49 x31 1	84 x54 T	119 x77 w	164 xA4 �	201 xC9 �	236 xEC �
15 x0F 	50 x32 2	85 x55 U	120 x78 x	165 xA5 �	202 xCA �	237 xED �
16 x10 	51 x33 3	86 x56 V	121 x79 y	166 xA6 �	203 xCB �	238 xEE �
17 x11	52 x34 4	87 x57 W	122 x7A z	167 xA7 �	204 xCC �	239 xEF �
18 x12 �	53 x35 5	88 x58 X	123 x7B {	168 xA8 �	205 xCD �	240 xF0 �
19 x13 	54 x36 6	89 x59 Y	124 x7C	169 xA9 �	206 xCE �	241 xF1 �
20 x14 	55 x37 7	90 x5A Z	125 x7D }	170 xAA �	207 xCF �	242 xF2 �
21 x15 	56 x38 8	91 x5B [126 x7E ~	171 xAB �	208 xD0 �	243 xF3 �
22 x16 	57 x39 9	92 x5C \	127 x7F �	172 xAC �	209 xD1 �	244 xF4 �
23 x17 	58 x3A :	93 x5D]	128 x80 ..	174 xAE �	210 xD2 �	245 xF5 �
24 x18 	59 x3B ;	94 x5E ^	129 x81 +	175 xAF �	211 xD3 �	246 xF6 �
25 x19 	60 x3C <	95 x5F _	130 x82 #	176 xB0 �	212 xD4 �	247 xF7 �
26 x1A 	61 x3D =	96 x60 `	131 x83 •	177 xB1 �	213 xD5 �	248 xF8 �
27 x1B	62 x3E >	97 x61 a	132 x84 �	178 xB2 �	214 xD6 �	249 xF9 �
28 x1C 	63 x3F ?	98 x62 b	133 x85 �	179 xB3 �	215 xD7 �	250 xFA �
29 x1D 	64 x40 @	99 x63 c	134 x86 �	181 xB5 �	216 xD8 �	251 xFB �
30 x1E 	65 x41 A	100 x64 d	135 x87 �	182 xB6 �	217 xD9 �	252 xFC �
31 x1F 	66 x42 B	101 x65 e	136 x88 �	184 xB8 �	218 xDA �	253 xFD �
32 x20 	67 x43 C	102 x66 f	137 x89 �	185 xB9 �	219 xDB �	254 xFE �
33 x21 	68 x44 D	103 x67 g	138 x8A �		220 xDC �	255 xFF �
34 x22 	69 x45 E	104 x68 h	141 x8D �			

T_EX Gyre Cursor: CS (CS TUG) small caps encoding table

0 x00 \square	35 x23 $\#$	70 x46 F	105 x69 I	142 x8E k	186 xBA [s]	221 xDD [Y]
1 x01 \triangle	36 x24 [S]	71 x47 G	106 x6A [J]	143 x8F [>]	187 xBB [ř]	222 xDE [T]
2 x02 \ominus	37 x25 [R]	72 x48 H	107 x6B [K]	144 x90 [m]	188 xBC [z]	224 xE0 [k]
3 x03 ∇	38 x26 [&]	73 x49 I	108 x6C [L]	150 x96 [o]	189 xBD [ř]	225 xE1 [l]
4 x04 \boxplus	39 x27 [']	74 x4A [J]	109 x6D [M]	151 x97 [f]	190 xBE [ž]	226 xE2 [l]
5 x05 \square	40 x28 [(]	75 x4B [K]	110 x6E [N]	152 x98 [š]	191 xBF [z]	227 xE3 [l]
6 x06 Σ	41 x29 [)]	76 x4C [L]	111 x6F [O]	154 x9A [,]	192 xC0 [ř]	228 xE4 [l]
7 x07 [r]	42 x2A [*]	77 x4D [M]	112 x70 [P]	156 x9C [-]	193 xC1 [š]	229 xE5 [l]
8 x08 [E]	43 x2B [+]	78 x4E [N]	113 x71 [Q]	157 x9D [.]	194 xC2 [š]	230 xE6 [l]
9 x09 [F]	44 x2C [,]	79 x4F [O]	114 x72 [R]	158 x9E [<<]	195 xC3 [š]	231 xE7 [č]
10 x0A Ω	45 x2D [-]	80 x50 [P]	115 x73 [S]	159 x9F [>>]	196 xC4 [š]	232 xE8 [č]
11 x0B [r]	46 x2E [.]	81 x51 [Q]	116 x74 [T]	161 xA1 [š]	197 xC5 [l]	233 xE9 [l]
12 x0C [v]	47 x2F [/]	82 x52 [R]	117 x75 [U]	163 xA3 [E]	198 xC6 [č]	234 xEA [E]
13 x0D [']	48 x30 [o]	83 x53 [S]	118 x76 [v]	164 xA4 [K]	199 xC7 [č]	235 xEB [E]
14 x0E [;]	49 x31 [l]	84 x54 [T]	119 x77 [w]	165 xA5 [U]	200 xC8 [č]	236 xEC [E]
15 x0F [z]	50 x32 [z]	85 x55 [U]	120 x78 [x]	166 xA6 [š]	201 xC9 [E]	237 xED [l]
16 x10 [I]	51 x33 [3]	86 x56 [V]	121 x79 [y]	167 xA7 [š]	202 xCA [E]	238 xEE [l]
17 x11 [J]	52 x34 [4]	87 x57 [W]	122 x7A [z]	168 xA8 [']	203 xCB [E]	239 xEF [l]
18 x12 [`]	53 x35 [5]	88 x58 [X]	123 x7B $\text{[{]}$	169 xA9 [š]	204 xCC [E]	240 xF0 [E]
19 x13 [']	54 x36 [6]	89 x59 [Y]	124 x7C []	170 xAA [š]	205 xCD [l]	241 xF1 [k]
20 x14 [~]	55 x37 [7]	90 x5A [Z]	125 x7D $\text{[}]}$	171 xAB [ř]	206 xCE [l]	242 xF2 [k]
21 x15 [^]	56 x38 [8]	91 x5B [[]	126 x7E [^]	172 xAC [ž]	207 xCF [D]	243 xF3 [l]
22 x16 [-]	57 x39 [9]	92 x5C [\]	127 x7F [']	174 xAE [ž]	208 xD0 [E]	244 xF4 [l]
23 x17 [°]	58 x3A [:]	93 x5D []]	128 x80 [.]	175 xAF [ž]	209 xD1 [l]	245 xF5 [l]
24 x18 [,]	59 x3B [;]	94 x5E [^]	129 x81 [+]	176 xB0 [°]	210 xD2 [ň]	246 xF6 [l]
25 x19 [s s]	60 x3C [<]	95 x5F []]	130 x82 [#]	177 xB1 [š]	211 xD3 [l]	247 xF7 [+]
26 x1A [E]	61 x3D [=]	96 x60 [^]	131 x83 [•]	178 xB2 [^]	212 xD4 [ö]	248 xF8 [l]
27 x1B [E]	62 x3E [>]	97 x61 [A]	132 x84 [E]	179 xB3 [E]	213 xD5 [ö]	249 xF9 [l]
28 x1C [ø]	63 x3F [?]	98 x62 [B]	133 x85 [F]	181 xB5 [E]	214 xD6 [ö]	250 xFA [l]
29 x1D [E]	64 x40 [@]	99 x63 [C]	134 x86 [E]	182 xB6 [š]	215 xD7 [x]	251 xFB [l]
30 x1E [E]	65 x41 [A]	100 x64 [D]	135 x87 [']	184 xB8 [š]	216 xD8 [ř]	252 xFC [l]
31 x1F [ø]	66 x42 [B]	101 x65 [E]	136 x88 [F]	185 xB9 [š]	217 xD9 [ů]	253 xFD [l]
32 x20 [L]	67 x43 [C]	102 x66 [F]	137 x89 [C]		218 xDA [ů]	254 xFE [l]
33 x21 [!]	68 x44 [D]	103 x67 [G]	138 x8A [B]		219 xDB [ů]	255 xFF [']
34 x22 [!]	69 x45 [E]	104 x68 [H]	141 x8D [E]			

T_EX Gyre Cursor: EC (Cork aka T1) encoding table

0 x00 `	38 x26 &	75 x4B K	112 x70 p	149 x95 ŧ	186 xBA ž	223 xDF SS
1 x01 '	39 x27 '	76 x4C L	113 x71 q	150 x96 ŭ	187 xBB z	224 xE0 à
2 x02 ^	40 x28 (77 x4D M	114 x72 r	151 x97 ŏ	188 xBC ij	225 xE1 á
3 x03 ~	41 x29)	78 x4E N	115 x73 s	152 x98 ŷ	189 xBD i	226 xE2 â
4 x04 ¨	42 x2A *	79 x4F O	116 x74 t	153 x99 ž	190 xBE z	227 xE3 ã
5 x05 ˘	43 x2B +	80 x50 P	117 x75 u	154 x9A ž	191 xBF E	228 xE4 ä
6 x06 °	44 x2C ,	81 x51 Q	118 x76 v	155 x9B ž	192 xC0 à	229 xE5 å
7 x07 ˘	45 x2D —	82 x52 R	119 x77 w	156 x9C ŭ	193 xC1 Á	230 xE6 æ
8 x08 ˘	46 x2E .	83 x53 S	120 x78 x	157 x9D ŧ	194 xC2 Â	231 xE7 ç
9 x09 ˘	47 x2F /	84 x54 T	121 x79 y	158 x9E č	195 xC3 Ă	232 xE8 è
10 x0A ˘	48 x30 O	85 x55 U	122 x7A z	159 x9F S	196 xC4 Ä	233 xE9 é
11 x0B ,	49 x31 l	86 x56 V	123 x7B {	160 xA0 ă	197 xC5 Ă	234 xEA ê
12 x0C ,	50 x32 2	87 x57 W	124 x7C	161 xA1 ă	198 xC6 Æ	235 xEB ë
13 x0D ,	51 x33 3	88 x58 X	125 x7D }	162 xA2 ć	199 xC7 Ç	236 xEC ì
14 x0E <	52 x34 4	89 x59 Y	126 x7E ~	163 xA3 č	200 xC8 È	237 xED í
15 x0F >	53 x35 5	90 x5A Z	127 x7F -	164 xA4 č	201 xC9 É	238 xEE î
16 x10 ˘	54 x36 6	91 x5B [128 x80 Ǻ	165 xA5 ě	202 xCA Ê	239 xEF ï
17 x11 ˘	55 x37 7	92 x5C \	129 x81 Ǻ	166 xA6 ě	203 xCB Ë	240 xF0 ò
18 x12 ,	56 x38 8	93 x5D]	130 x82 Ć	167 xA7 ǧ	204 xCC Ì	241 xF1 ñ
19 x13 <<	57 x39 9	94 x5E ^	131 x83 Č	168 xA8 ĺ	205 xCD Í	242 xF2 ò
20 x14 >>	58 x3A :	95 x5F _	132 x84 Ǫ	169 xA9 Ĺ	206 xCE Î	243 xF3 ó
21 x15 —	59 x3B ;	96 x60 `	133 x85 ǫ	170 xAA ł	207 xCF Ï	244 xF4 ô
22 x16 —	60 x3C <	97 x61 a	134 x86 ǫ	171 xAB ł	208 xD0 Ð	245 xF5 õ
23 x17	61 x3D =	98 x62 b	135 x87 ǧ	172 xAC ř	209 xD1 Ñ	246 xF6 ö
24 x18 o	62 x3E >	99 x63 c	136 x88 ĺ	173 xAD ŕ	210 xD2 Ò	247 xF7 œ
25 x19 u	63 x3F ?	100 x64 d	137 x89 ŕ	174 xAE ó	211 xD3 Ó	248 xF8 ø
26 x1A j	64 x40 @	101 x65 e	138 x8A ŕ	175 xAF ř	212 xD4 Ô	249 xF9 ù
27 x1B ff	65 x41 A	102 x66 f	139 x8B ŕ	176 xB0 ř	213 xD5 Õ	250 xFA ú
28 x1C fi	66 x42 B	103 x67 g	140 x8C ň	177 xB1 ś	214 xD6 Ö	251 xFB û
29 x1D fi	67 x43 C	104 x68 h	141 x8D ŕ	178 xB2 ś	215 xD7 Æ	252 xFC ü
	68 x44 D	105 x69 i	142 x8E ő	179 xB3 ş	216 xD8 Ø	253 xFD ý
32 x20 L	69 x45 E	106 x6A j	143 x8F ř	180 xB4 ŕ	217 xD9 Ù	254 xFE þ
33 x21 !	70 x46 F	107 x6B k	144 x90 ř	181 xB5 ŕ	218 xDA Ú	255 xFF ß
34 x22 "	71 x47 G	108 x6C l	145 x91 ś	182 xB6 ú	219 xDB Û	
35 x23 #	72 x48 H	109 x6D m	146 x92 š	183 xB7 û	220 xDC Ü	
36 x24 \$	73 x49 I	110 x6E n	147 x93 ş	184 xB8 ÿ	221 xDD Ý	
37 x25 %	74 x4A J	111 x6F o	148 x94 ř	185 xB9 ž	222 xDE Þ	

T_EX Gyre Cursor: EC (Cork aka T1) small caps encoding table

0 x00 `	41 x29)	77 x4D M	113 x71 Q	149 x95 T	185 xB9 Z	221 xDD Y
1 x01 '	42 x2A *	78 x4E N	114 x72 R	150 x96 U	186 xBA Z	222 xDE E
2 x02 ^	43 x2B +	79 x4F O	115 x73 S	151 x97 U	187 xBB Z	223 xDF S S
3 x03 ~	44 x2C ,	80 x50 P	116 x74 T	152 x98 Y	188 xBC J	224 xEO A
4 x04 "	45 x2D +	81 x51 Q	117 x75 U	153 x99 Z	189 xBD i	225 xE1 A
5 x05 '~	46 x2E .	82 x52 R	118 x76 V	154 x9A Z	190 xBE Z	226 xE2 A
6 x06 °	47 x2F /	83 x53 S	119 x77 W	155 x9B Z	191 xBF E	227 xE3 A
7 x07 ~	48 x30 o	84 x54 T	120 x78 X	156 x9C U	192 xC0 A	228 xE4 A
8 x08 ~	49 x31 u	85 x55 U	121 x79 Y	157 x9D I	193 xC1 A	229 xE5 A
9 x09 ~	50 x32 z	86 x56 V	122 x7A Z	158 x9E E	194 xC2 A	230 xE6 E
10 x0A '~	51 x33 3	87 x57 W	123 x7B {	159 x9F S	195 xC3 A	231 xE7 C
11 x0B ,	52 x34 4	88 x58 X	124 x7C	160 xA0 A	196 xC4 A	232 xE8 E
12 x0C ,	53 x35 5	89 x59 Y	125 x7D }	161 xA1 A	197 xC5 A	233 xE9 E
13 x0D ,	54 x36 6	90 x5A Z	126 x7E ~	162 xA2 C	198 xC6 E	234 xEA E
14 x0E <	55 x37 7	91 x5B {	127 x7F ~	163 xA3 C	199 xC7 C	235 xEB E
15 x0F >	56 x38 8	92 x5C ~	128 x80 A	164 xA4 D	200 xC8 E	236 xEC E
16 x10 "~	57 x39 9	93 x5D }	129 x81 A	165 xA5 E	201 xC9 E	237 xED E
17 x11 "~	58 x3A :	94 x5E ^	130 x82 C	166 xA6 E	202 xCA E	238 xEE E
18 x12 ,~	59 x3B ;	95 x5F _	131 x83 C	167 xA7 E	203 xCB E	239 xEF E
19 x13 <<	60 x3C <	96 x60 '~	132 x84 D	168 xA8 E	204 xCC E	240 xF0 E
20 x14 >>	61 x3D =	97 x61 A	133 x85 E	169 xA9 E	205 xCD E	241 xF1 E
21 x15 ~	62 x3E >	98 x62 B	134 x86 E	170 xAA E	206 xCE E	242 xF2 E
22 x16 ~	63 x3F ?	99 x63 C	135 x87 G	171 xAB E	207 xCF E	243 xF3 E
23 x17	64 x40 @	100 x64 D	136 x88 E	172 xAC E	208 xD0 E	244 xF4 E
24 x18 o	65 x41 A	101 x65 E	137 x89 E	173 xAD E	209 xD1 E	245 xF5 E
25 x19 E	66 x42 B	102 x66 E	138 x8A E	174 xAE E	210 xD2 E	246 xF6 E
26 x1A E	67 x43 C	103 x67 E	139 x8B E	175 xAF E	211 xD3 E	247 xF7 E
32 x20 _	68 x44 D	104 x68 E	140 x8C E	176 xB0 E	212 xD4 E	248 xF8 E
33 x21 !	69 x45 E	105 x69 E	141 x8D E	177 xB1 E	213 xD5 E	249 xF9 E
34 x22 "~	70 x46 E	106 x6A E	142 x8E E	178 xB2 E	214 xD6 E	250 xFA E
35 x23 #	71 x47 E	107 x6B E	143 x8F E	179 xB3 E	215 xD7 E	251 xFB E
36 x24 S	72 x48 E	108 x6C E	144 x90 E	180 xB4 E	216 xD8 E	252 xFC E
37 x25 %	73 x49 E	109 x6D E	145 x91 E	181 xB5 E	217 xD9 E	253 xFD E
38 x26 &	74 x4A E	110 x6E E	146 x92 E	182 xB6 E	218 xDA E	254 xFE E
39 x27 '	75 x4B E	111 x6F E	147 x93 E	183 xB7 E	219 xDB E	255 xFF S S
40 x28 (76 x4C E	112 x70 E	148 x94 E	184 xB8 E	220 xDC E	

T_EX Gyre Cursor: L7x (Lithuanian) encoding table

0 x00 `	35 x23 #	68 x44 D	101 x65 e	137 x89 %	190 xBE þ	223 xDF B
1 x01 '	36 x24 \$	69 x45 E	102 x66 f	140 x8C Œ	191 xBF æ	224 xE0 ą
2 x02 ^	37 x25 %	70 x46 F	103 x67 g	149 x95 •	192 xC0 Ą	225 xE1 į
3 x03 ~	38 x26 &	71 x47 G	104 x68 h	153 x99 ™	193 xC1 Ț	226 xE2 ā
4 x04 ¨	39 x27 '	72 x48 H	105 x69 i	156 x9C œ	194 xC2 Ā	227 xE3 č
5 x05 '~	40 x28 (73 x49 I	106 x6A j	160 xA0	195 xC3 Ć	228 xE4 ä
6 x06 °	41 x29)	74 x4A Ĵ	107 x6B k	162 xA2 č	196 xC4 Ä	229 xE5 å
7 x07 ˘	42 x2A *	75 x4B K	108 x6C l	163 xA3 Ė	197 xC5 Å	230 xE6 ę
8 x08 ˙	43 x2B +	76 x4C L	109 x6D m	164 xA4 κ	198 xC6 Ę	231 xE7 ė
9 x09 ˚	44 x2C ,	77 x4D M	110 x6E n	166 xA6	199 xC7 Ē	232 xE8 č
10 x0A '·	45 x2D -	78 x4E N	111 x6F o	167 xA7 š	200 xC8 Č	233 xE9 ė
11 x0B ,·	46 x2E .·	79 x4F O	112 x70 p	168 xA8 ø	201 xC9 É	234 xEA ž
12 x0C ,·	47 x2F /	80 x50 P	113 x71 q	169 xA9 ©	202 xCA Ž	235 xEB ė
13 x0D ,·	48 x30 O	81 x51 Q	114 x72 r	170 xAA ŗ	203 xCB È	236 xEC ğ
14 x0E k·	49 x31 1	82 x52 R	115 x73 s	172 xAC -	204 xCC Ģ	237 xED ķ
15 x0F k·	50 x32 2	83 x53 S	116 x74 t	173 xAD -	205 xCD Ķ	238 xEE ī
16 x10 "·	51 x33 3	84 x54 T	117 x75 u	174 xAE ⊗	206 xCE Ī	239 xEF ļ
17 x11 "·	52 x34 4	85 x55 U	118 x76 v	175 xAF ⊕	207 xCF Ļ	240 xF0 š
18 x12 ,·	53 x35 5	86 x56 V	119 x77 w	176 xB0 °	208 xD0 Š	241 xF1 k
19 x13 <<	54 x36 6	87 x57 W	120 x78 x	177 xB1 ±	209 xD1 Ń	242 xF2 p
20 x14 >>	55 x37 7	88 x58 X	121 x79 y	178 xB2 ²	210 xD2 Ņ	243 xF3 ó
21 x15 -	56 x38 8	89 x59 Y	122 x7A z	179 xB3 ³	211 xD3 Ó	244 xF4 ō
22 x16 -	57 x39 9	90 x5A Z	123 x7B {	181 xB5 p	212 xD4 Ö	245 xF5 ö
23 x17	58 x3A :	91 x5B [124 x7C	182 xB6 q	213 xD5 Ō	246 xF6 ö
24 x18 o	59 x3B ;	92 x5C \	125 x7D }	183 xB7 ·	214 xD6 Ö	247 xF7 +
25 x19 u	60 x3C <	93 x5D]	126 x7E ~	184 xB8 ø	215 xD7 ×	248 xF8 ų
26 x1A j	61 x3D =	94 x5E ^	128 x80 €	185 xB9 ²	216 xD8 Ų	249 xF9 ž
27 x1B ff	62 x3E >	95 x5F _	131 x83 f	186 xBA ƒ	217 xD9 Ł	250 xFA ś
28 x1C fi	63 x3F ?	96 x60 '	133 x85 l·	188 xBC ¼	218 xDA Ś	251 xFB ū
29 x1D fi	64 x40 @	97 x61 a	134 x86 t	189 xBD ½	219 xDB Ū	252 xFC ü
32 x20	65 x41 A	98 x62 b	135 x87 þ		220 xDC Ü	253 xFD ź
33 x21 !	66 x42 B	99 x63 c			221 xDD Ż	254 xFE ż
34 x22 "·	67 x43 C	100 x64 d			222 xDE Ž	

T_EX Gyre Cursor: L7x (Lithuanian) small caps encoding table

0 x00 `	37 x25 %	70 x46 F	103 x67 G	_____	191 xBF Æ	224 xE0 Ā
1 x01 '	38 x26 &	71 x47 G	104 x68 H	149 x95 •	192 xC0 Ą	225 xE1 Ą
2 x02 ^	39 x27 '	72 x48 H	105 x69 I	153 x99 ††	193 xC1 Ț	226 xE2 Ā
3 x03 ~	40 x28 (73 x49 I	106 x6A J	_____	194 xC2 Ā	227 xE3 Ć
4 x04 ''	41 x29)	74 x4A J	107 x6B K	_____	195 xC3 Ć	228 xE4 Ā
5 x05 '~	42 x2A *	75 x4B K	108 x6C L	160 xA0	196 xC4 Ä	229 xE5 Ā
6 x06 °	43 x2B +	76 x4C L	109 x6D M	162 xA2 Ć	197 xC5 Å	230 xE6 Ē
7 x07 ~	44 x2C ,	77 x4D M	110 x6E N	163 xA3 Ē	198 xC6 Ē	231 xE7 Ē
8 x08 ~	45 x2D -	78 x4E N	111 x6F O	164 xA4 Ē	199 xC7 Ē	232 xE8 Ć
9 x09 -	46 x2E .	79 x4F O	112 x70 P	_____	200 xC8 Č	233 xE9 Ē
10 x0A '·	47 x2F /	80 x50 P	113 x71 Q	166 xA6 ;	201 xC9 É	234 xEA Ž
11 x0B ,	48 x30 O	81 x51 Q	114 x72 R	167 xA7 S	202 xCA Ž	235 xEB Ē
12 x0C ,	49 x31 u	82 x52 R	115 x73 S	168 xA8 Ø	203 xCB Ē	236 xEC Ģ
13 x0D ,	50 x32 z	83 x53 S	116 x74 T	169 xA9 ©	204 xCC Ģ	237 xED Ģ
14 x0E <	51 x33 3	84 x54 T	117 x75 U	170 xAA ŕ	205 xCD Ķ	238 xEE Ī
15 x0F >	52 x34 4	85 x55 U	118 x76 V	_____	206 xCE Ī	239 xEF Ķ
16 x10 ''	53 x35 5	86 x56 V	119 x77 W	172 xAC -	207 xCF Ķ	240 xF0 Š
17 x11 ''	54 x36 6	87 x57 W	120 x78 X	174 xAE ⊗	208 xD0 Š	241 xF1 Ń
18 x12 ,,	55 x37 7	88 x58 X	121 x79 Y	175 xAF Æ	209 xD1 Ń	242 xF2 Ų
19 x13 <<	56 x38 8	89 x59 Y	122 x7A Z	176 xB0 °	210 xD2 Ų	243 xF3 Ć
20 x14 >>	57 x39 9	90 x5A Z	123 x7B {	177 xB1 ±	211 xD3 Ó	244 xF4 Ō
21 x15 -	58 x3A :	91 x5B [124 x7C	178 xB2 ²	212 xD4 Ō	245 xF5 Ō
22 x16 -	59 x3B ;	92 x5C \	125 x7D }	179 xB3 ³	213 xD5 Ō	246 xF6 ö
23 x17	60 x3C <	93 x5D]	126 x7E ~	_____	214 xD6 ö	247 xF7 +
24 x18 o	61 x3D =	94 x5E ^	_____	181 xB5 ı	215 xD7 ×	248 xF8 ų
25 x19 I	62 x3E >	95 x5F _	128 x80 €	182 xB6 ¶	216 xD8 ų	249 xF9 ė
26 x1A J	63 x3F ?	96 x60 ^	131 x83 f	183 xB7 ·	217 xD9 ė	250 xFA ś
_____	64 x40 @	97 x61 A	_____	184 xB8 ø	218 xDA ś	251 xFB ū
32 x20	65 x41 A	98 x62 B	133 x85 ..	185 xB9 ¹	219 xDB ū	252 xFC ü
33 x21 !	66 x42 B	99 x63 C	134 x86 +	186 xBA ŕ	220 xDC ü	253 xFD ž
34 x22 ''	67 x43 C	100 x64 D	135 x87 #	_____	221 xDD ž	254 xFE ž
35 x23 #	68 x44 D	101 x65 E	_____	188 xBC ¼	222 xDE Ž	_____
36 x24 \$	69 x45 E	102 x66 F	137 x89 š	189 xBD ½	223 xDF s	_____
			140 x8C €	190 xBE ¾		

T_EX Gyre Cursor: RM (“regular math”) encoding table

0 x00 \square	37 x25 $\%$	74 x4A J	111 x6F \circ	148 x94 ř	185 xB9 ž	222 xDE Đ
1 x01 \triangle	38 x26 $\&$	75 x4B K	112 x70 p	149 x95 ř	186 xBA ž	223 xDF ŠŠ
2 x02 \ominus	39 x27 \prime	76 x4C L	113 x71 q	150 x96 Ů	187 xBB ž	224 xE0 à
3 x03 ∇	40 x28 $ $	77 x4D M	114 x72 r	151 x97 Ů	188 xBC ij	225 xE1 á
4 x04 \boxminus	41 x29 $)$	78 x4E N	115 x73 s	152 x98 Ÿ	189 xBD .	226 xE2 â
5 x05 \square	42 x2A $*$	79 x4F O	116 x74 t	153 x99 Ž	190 xBE ''	227 xE3 ã
6 x06 Σ	43 x2B H	80 x50 P	117 x75 u	154 x9A ž	191 xBF E	228 xE4 ä
7 x07 r	44 x2C $,$	81 x51 Q	118 x76 v	155 x9B ž	192 xC0 À	229 xE5 å
8 x08 \boxtimes	45 x2D H	82 x52 R	119 x77 w	156 x9C Ů	193 xC1 Á	230 xE6 á
9 x09 \boxtimes	46 x2E .	83 x53 S	120 x78 x	157 x9D ř	194 xC2 Ā	231 xE7 ç
10 x0A Ω	47 x2F $/$	84 x54 T	121 x79 y	158 x9E ř	195 xC3 Ā	232 xE8 è
11 x0B r	48 x30 O	85 x55 U	122 x7A z	159 x9F ř	196 xC4 Ā	233 xE9 é
12 x0C v	49 x31 I	86 x56 V	123 x7B $\{ $	160 xA0 ä	197 xC5 Ā	234 xEA ê
13 x0D ''	50 x32 I	87 x57 W	124 x7C 	161 xA1 ä	198 xC6 «	235 xEB ë
14 x0E $ _i$	51 x33 I	88 x58 X	125 x7D $\text{}} $	162 xA2 č	199 xC7 Č	236 xEC ì
15 x0F z	52 x34 I	89 x59 Y	126 x7E ~	163 xA3 č	200 xC8 È	237 xED í
16 x10 u	53 x35 I	90 x5A Z	127 x7F ''	164 xA4 č	201 xC9 É	238 xEE î
17 x11 ij	54 x36 I	91 x5B [128 x80 Ā	165 xA5 č	202 xCA Ê	239 xEF ï
18 x12 ''	55 x37 I	92 x5C ''	129 x81 Ā	166 xA6 č	203 xCB Ë	240 xF0 ö
19 x13 ''	56 x38 I	93 x5D]	130 x82 Č	167 xA7 č	204 xCC Ì	241 xF1 ř
20 x14 ~	57 x39 I	94 x5E ^	131 x83 Č	168 xA8 Ī	205 xCD Í	242 xF2 ò
21 x15 ~	58 x3A :	95 x5F ⌋	132 x84 Đ	169 xA9 Ī	206 xCE Î	243 xF3 ó
22 x16 ~	59 x3B ;	96 x60 ''	133 x85 Ě	170 xAA Ī	207 xCF Ï	244 xF4 ô
23 x17 °	60 x3C <	97 x61 a	134 x86 Ě	171 xAB Ī	208 xD0 Đ	245 xF5 ö
24 x18 ,	61 x3D =	98 x62 b	135 x87 Ě	172 xAC ř	209 xD1 Ě	246 xF6 ö
25 x19 B	62 x3E >	99 x63 c	136 x88 Ě	173 xAD ř	210 xD2 Ò	247 xF7 č
26 x1A æ	63 x3F ?	100 x64 d	137 x89 ř	174 xAE č	211 xD3 Ó	248 xF8 ø
27 x1B æ	64 x40 @	101 x65 e	138 x8A ř	175 xAF ř	212 xD4 Ô	249 xF9 ù
28 x1C ø	65 x41 A	102 x66 f	139 x8B ř	176 xB0 ř	213 xD5 Õ	250 xFA ú
29 x1D Æ	66 x42 B	103 x67 g	140 x8C ř	177 xB1 ř	214 xD6 Ö	251 xFB ù
30 x1E Æ	67 x43 C	104 x68 h	141 x8D ř	178 xB2 ř	215 xD7 »	252 xFC ü
31 x1F Ø	68 x44 D	105 x69 i	142 x8E ř	179 xB3 ř	216 xD8 œ	253 xFD ý
32 x20 ⌋	69 x45 E	106 x6A j	143 x8F ř	180 xB4 ř	217 xD9 Û	254 xFE þ
33 x21 !!	70 x46 F	107 x6B k	144 x90 ř	181 xB5 ř	218 xDA Ú	255 xFF ,
34 x22 ''	71 x47 G	108 x6C l	145 x91 ř	182 xB6 ř	219 xDB Û	
35 x23 \#	72 x48 H	109 x6D m	146 x92 ř	183 xB7 ř	220 xDC Ü	
36 x24 $\text{\$}$	73 x49 I	110 x6E n	147 x93 ř	184 xB8 ř	221 xDD Ý	

T_EX Gyre Cursor: RM (“regular math”) small caps encoding table

0 x00 \mathbb{A}	37 x25 \mathbb{B}	74 x4A \mathbb{J}	111 x6F \mathbb{O}	148 x94 \mathbb{T}	185 xB9 \mathbb{Z}	222 xDE \mathbb{E}
1 x01 \mathbb{B}	38 x26 \mathbb{C}	75 x4B \mathbb{K}	112 x70 \mathbb{P}	149 x95 \mathbb{U}	186 xBA $\mathbb{[}$	223 xDF \mathbb{S}
2 x02 \mathbb{C}	39 x27 \mathbb{D}	76 x4C \mathbb{L}	113 x71 \mathbb{Q}	150 x96 \mathbb{V}	187 xBB $\mathbb{}$	224 xE0 \mathbb{A}
3 x03 \mathbb{D}	40 x28 \mathbb{E}	77 x4D \mathbb{M}	114 x72 \mathbb{R}	151 x97 \mathbb{W}	188 xBC $\mathbb{}$	225 xE1 \mathbb{B}
4 x04 \mathbb{E}	41 x29 \mathbb{F}	78 x4E \mathbb{N}	115 x73 \mathbb{S}	152 x98 \mathbb{X}	189 xBD $\mathbb{}$	226 xE2 \mathbb{C}
5 x05 \mathbb{F}	42 x2A \mathbb{G}	79 x4F \mathbb{O}	116 x74 \mathbb{T}	153 x99 \mathbb{Y}	190 xBE $\mathbb{}$	227 xE3 \mathbb{D}
6 x06 \mathbb{G}	43 x2B \mathbb{H}	80 x50 \mathbb{P}	117 x75 \mathbb{U}	154 x9A \mathbb{Z}	191 xBF $\mathbb{}$	228 xE4 \mathbb{E}
7 x07 \mathbb{H}	44 x2C \mathbb{I}	81 x51 \mathbb{Q}	118 x76 \mathbb{V}	155 x9B $\mathbb{[}$	192 xC0 \mathbb{A}	229 xE5 \mathbb{F}
8 x08 \mathbb{I}	45 x2D \mathbb{J}	82 x52 \mathbb{R}	119 x77 \mathbb{W}	156 x9C $\mathbb{}$	193 xC1 \mathbb{B}	230 xE6 \mathbb{G}
9 x09 \mathbb{J}	46 x2E \mathbb{K}	83 x53 \mathbb{S}	120 x78 \mathbb{X}	157 x9D $\mathbb{}$	194 xC2 \mathbb{C}	231 xE7 \mathbb{H}
10 x0A \mathbb{K}	47 x2F \mathbb{L}	84 x54 \mathbb{T}	121 x79 \mathbb{Y}	158 x9E $\mathbb{}$	195 xC3 \mathbb{D}	232 xE8 \mathbb{I}
11 x0B \mathbb{L}	48 x30 \mathbb{M}	85 x55 \mathbb{U}	122 x7A \mathbb{Z}	159 x9F $\mathbb{}$	196 xC4 \mathbb{E}	233 xE9 \mathbb{J}
12 x0C \mathbb{M}	49 x31 \mathbb{N}	86 x56 \mathbb{V}	123 x7B $\mathbb{[}$	160 xA0 \mathbb{A}	197 xC5 \mathbb{F}	234 xEA \mathbb{K}
13 x0D \mathbb{N}	50 x32 \mathbb{O}	87 x57 \mathbb{W}	124 x7C $\mathbb{}$	161 xA1 \mathbb{B}	198 xC6 \mathbb{G}	235 xEB \mathbb{L}
14 x0E \mathbb{O}	51 x33 \mathbb{P}	88 x58 \mathbb{X}	125 x7D $\mathbb{}$	162 xA2 \mathbb{C}	199 xC7 \mathbb{H}	236 xEC \mathbb{M}
15 x0F \mathbb{P}	52 x34 \mathbb{Q}	89 x59 \mathbb{Y}	126 x7E $\mathbb{}$	163 xA3 \mathbb{D}	200 xC8 \mathbb{I}	237 xED \mathbb{N}
16 x10 \mathbb{Q}	53 x35 \mathbb{R}	90 x5A \mathbb{Z}	127 x7F $\mathbb{}$	164 xA4 \mathbb{E}	201 xC9 \mathbb{J}	238 xEE \mathbb{O}
17 x11 \mathbb{R}	54 x36 \mathbb{S}	91 x5B $\mathbb{[}$	128 x80 \mathbb{A}	165 xA5 \mathbb{F}	202 xCA \mathbb{K}	239 xEF \mathbb{P}
18 x12 \mathbb{S}	55 x37 \mathbb{T}	92 x5C $\mathbb{}$	129 x81 \mathbb{B}	166 xA6 \mathbb{G}	203 xCB \mathbb{L}	240 xF0 \mathbb{Q}
19 x13 \mathbb{T}	56 x38 \mathbb{U}	93 x5D $\mathbb{}$	130 x82 \mathbb{C}	167 xA7 \mathbb{H}	204 xCC \mathbb{M}	241 xF1 \mathbb{R}
20 x14 \mathbb{U}	57 x39 \mathbb{V}	94 x5E $\mathbb{}$	131 x83 \mathbb{D}	168 xA8 \mathbb{I}	205 xCD \mathbb{N}	242 xF2 \mathbb{S}
21 x15 \mathbb{V}	58 x3A \mathbb{W}	95 x5F $\mathbb{}$	132 x84 \mathbb{E}	169 xA9 \mathbb{J}	206 xCE \mathbb{O}	243 xF3 \mathbb{T}
22 x16 \mathbb{W}	59 x3B \mathbb{X}	96 x60 $\mathbb{}$	133 x85 \mathbb{F}	170 xAA \mathbb{K}	207 xCF \mathbb{P}	244 xF4 \mathbb{U}
23 x17 \mathbb{X}	60 x3C \mathbb{Y}	97 x61 \mathbb{A}	134 x86 \mathbb{G}	171 xAB \mathbb{L}	208 xD0 \mathbb{Q}	245 xF5 \mathbb{V}
24 x18 \mathbb{Y}	61 x3D \mathbb{Z}	98 x62 \mathbb{B}	135 x87 \mathbb{H}	172 xAC \mathbb{M}	209 xD1 \mathbb{R}	246 xF6 \mathbb{W}
25 x19 \mathbb{Z}	62 x3E $\mathbb{[}$	99 x63 \mathbb{C}	136 x88 \mathbb{I}	173 xAD \mathbb{N}	210 xD2 \mathbb{S}	247 xF7 \mathbb{X}
26 x1A $\mathbb{[}$	63 x3F $\mathbb{}$	100 x64 \mathbb{D}	137 x89 \mathbb{J}	174 xAE \mathbb{O}	211 xD3 \mathbb{T}	248 xF8 \mathbb{Y}
27 x1B $\mathbb{}$	64 x40 \mathbb{A}	101 x65 \mathbb{E}	138 x8A \mathbb{K}	175 xAF \mathbb{P}	212 xD4 \mathbb{U}	249 xF9 \mathbb{Z}
28 x1C \mathbb{A}	65 x41 \mathbb{B}	102 x66 \mathbb{F}	139 x8B \mathbb{L}	176 xB0 \mathbb{Q}	213 xD5 \mathbb{V}	250 xFA $\mathbb{[}$
29 x1D \mathbb{B}	66 x42 \mathbb{C}	103 x67 \mathbb{G}	140 x8C \mathbb{M}	177 xB1 \mathbb{R}	214 xD6 \mathbb{W}	251 xFB $\mathbb{}$
30 x1E \mathbb{C}	67 x43 \mathbb{D}	104 x68 \mathbb{H}	141 x8D \mathbb{N}	178 xB2 \mathbb{S}	215 xD7 \mathbb{X}	252 xFC \mathbb{A}
31 x1F \mathbb{D}	68 x44 \mathbb{E}	105 x69 \mathbb{I}	142 x8E \mathbb{O}	179 xB3 \mathbb{T}	216 xD8 \mathbb{Y}	253 xFD \mathbb{B}
32 x20 \mathbb{E}	69 x45 \mathbb{F}	106 x6A \mathbb{J}	143 x8F \mathbb{P}	180 xB4 \mathbb{U}	217 xD9 \mathbb{Z}	254 xFE \mathbb{C}
33 x21 \mathbb{F}	70 x46 \mathbb{G}	107 x6B \mathbb{K}	144 x90 \mathbb{Q}	181 xB5 \mathbb{V}	218 xDA $\mathbb{[}$	255 xFF \mathbb{D}
34 x22 \mathbb{G}	71 x47 \mathbb{H}	108 x6C \mathbb{L}	145 x91 \mathbb{R}	182 xB6 \mathbb{W}	219 xDB $\mathbb{}$	
35 x23 \mathbb{H}	72 x48 \mathbb{I}	109 x6D \mathbb{M}	146 x92 \mathbb{S}	183 xB7 \mathbb{X}	220 xDC \mathbb{A}	
36 x24 \mathbb{I}	73 x49 \mathbb{J}	110 x6E \mathbb{N}	147 x93 \mathbb{T}	184 xB8 \mathbb{Y}	221 xDD \mathbb{B}	

T_EX Gyre Cursor: QX (GUST) encoding table

0 x00 œ	36 x24 š	72 x48 H	108 x6C l	145 x91 ś	183 xB7 ų	221 xDD ŷ
1 x01 Δ	37 x25 %	73 x49 I	109 x6D m	146 x92 š	184 xB8 ÿ	222 xDE Đ
2 x02 β	38 x26 &	74 x4A J	110 x6E n	147 x93 ş	185 xB9 ź	224 xE0 à
3 x03 Ɔ	39 x27 '	75 x4B K	111 x6F o	148 x94 °	186 xBA ž	225 xE1 á
4 x04 ɦ	40 x28 (76 x4C L	112 x70 p	149 x95 ŧ	187 xBB ž	226 xE2 â
5 x05 Π	41 x29)	77 x4D M	113 x71 q	150 x96 ,	188 xBC j	227 xE3 ã
6 x06 Σ	42 x2A *	78 x4E N	114 x72 r	151 x97 Ů	189 xBD ·	228 xE4 ä
7 x07 p	43 x2B +	79 x4F O	115 x73 s	152 x98 Ÿ	192 xC0 À	229 xE5 å
8 x08 ..	44 x2C ,	80 x50 P	116 x74 t	153 x99 ž	193 xC1 Á	231 xE7 ç
10 x0A Ω	45 x2D -	81 x51 Q	117 x75 u	154 x9A ž	194 xC2 Â	232 xE8 è
11 x0B ⋈	46 x2E .	82 x52 R	118 x76 v	155 x9B ž	195 xC3 Ã	233 xE9 é
12 x0C ⋈	47 x2F /	83 x53 S	119 x77 w	156 x9C Ů	196 xC4 Ä	234 xEA ê
13 x0D '	48 x30 0	84 x54 T	120 x78 x	159 x9F š	197 xC5 Å	235 xEB ë
14 x0E i	49 x31 1	85 x55 U	121 x79 y	161 xA1 a	199 xC7 Ç	236 xEC ì
15 x0F z	50 x32 2	86 x56 V	122 x7A z	162 xA2 ć	200 xC8 È	237 xED í
16 x10 u	51 x33 3	87 x57 W	123 x7B {	163 xA3 š	201 xC9 É	238 xEE î
17 x11 j	52 x34 4	88 x58 X	124 x7C	164 xA4 ©	202 xCA Ê	239 xEF ï
18 x12 `	53 x35 5	89 x59 Y	125 x7D }	165 xA5 ⋈	203 xCB Ë	240 xF0 ð
19 x13 '	54 x36 6	90 x5A Z	126 x7E ~	166 xA6 ę	204 xCC Ì	241 xF1 ñ
20 x14 ˘	55 x37 7	91 x5B [127 x7F ˘	167 xA7 ı	205 xCD Í	242 xF2 ò
21 x15 ˘	56 x38 8	92 x5C \	128 x80 €	168 xA8 ⋈	206 xCE Î	243 xF3 ó
22 x16 ˘	57 x39 9	93 x5D]	129 x81 Ą	169 xA9 ×	207 xCF Ï	244 xF4 ô
23 x17 °	58 x3A :	94 x5E ^	130 x82 Ć	170 xAA ł	208 xD0 Đ	245 xF5 õ
24 x18 ,	59 x3B ;	95 x5F _	132 x84 ≥	171 xAB ń	209 xD1 Ñ	246 xF6 ö
25 x19 β	60 x3C <	96 x60 '	133 x85 ≈	172 xAC ⋈	210 xD2 Ò	247 xF7 ÷
26 x1A æ	61 x3D =	97 x61 a	134 x86 Ę	173 xAD ∞	211 xD3 Ó	248 xF8 ø
27 x1B œ	62 x3E >	98 x62 b	135 x87 ı	174 xAE «	212 xD4 Ô	249 xF9 ù
28 x1C ø	63 x3F ?	99 x63 c	137 x89 ≤	175 xAF »	213 xD5 Õ	250 xFA ú
29 x1D Œ	64 x40 @	100 x64 d	138 x8A Z	176 xB0 Ŧ	214 xD6 Ö	251 xFB û
30 x1E Œ	65 x41 A	101 x65 e	139 x8B Ŧ	177 xB1 ś	215 xD7 ı	252 xFC ü
31 x1F Ø	66 x42 B	102 x66 f	140 x8C ~	178 xB2 š	216 xD8 œ	253 xFD ý
32 x20 _	67 x43 C	103 x67 g	141 x8D ^	179 xB3 ş	217 xD9 Û	254 xFE þ
33 x21 !!	68 x44 D	104 x68 h	142 x8E ø	180 xB4 •	218 xDA Ú	255 xFF ı
34 x22 '''	69 x45 E	105 x69 i	143 x8F †	181 xB5 ŧ	219 xDB Û	
35 x23 ##	70 x46 F	106 x6A j	144 x90 ‡	182 xB6 †	220 xDC Ü	
	71 x47 G	107 x6B k				

T_EX Gyre Cursor: QX (GUST) small caps encoding table

0 x00 œ	36 x24 š	72 x48 H	108 x6C L	145 x91 ś	183 xB7 ų	221 xDD ŷ
1 x01 Δ	37 x25 %	73 x49 I	109 x6D M	146 x92 ŝ	184 xB8 ÿ	222 xDE Ð
2 x02 β	38 x26 &	74 x4A J	110 x6E N	147 x93 ŝ	185 xB9 ź	224 xE0 à
3 x03 ð	39 x27 '	75 x4B K	111 x6F O	148 x94 °	186 xBA ž	225 xE1 á
4 x04 π	40 x28 (76 x4C L	112 x70 P	149 x95 ŧ	187 xBB ž	226 xE2 â
5 x05 Π	41 x29)	77 x4D M	113 x71 Q	150 x96 ,	188 xBC ı	227 xE3 ã
6 x06 Σ	42 x2A *	78 x4E N	114 x72 R	151 x97 Ů	189 xBD ·	228 xE4 ä
7 x07 μ	43 x2B +	79 x4F O	115 x73 S	152 x98 Ÿ	192 xC0 À	229 xE5 å
8 x08 ..	44 x2C ,	80 x50 P	116 x74 T	153 x99 ž	193 xC1 Á	231 xE7 ç
10 x0A Ω	45 x2D -	81 x51 Q	117 x75 U	154 x9A ž	194 xC2 Â	232 xE8 è
11 x0B ⋈	46 x2E .	82 x52 R	118 x76 V	155 x9B ž	195 xC3 Ã	233 xE9 é
12 x0C ϙ	47 x2F /	83 x53 S	119 x77 W	156 x9C Ů	196 xC4 Ä	234 xEA ê
13 x0D '	48 x30 o	84 x54 T	120 x78 X	159 x9F š	199 xC7 Ç	235 xEB ë
14 x0E ı	49 x31 ı	85 x55 U	121 x79 Y	161 xA1 Ǻ	200 xC8 È	236 xEC è
15 x0F ž	50 x32 z	86 x56 V	122 x7A Z	162 xA2 Ć	201 xC9 É	237 xED í
16 x10 I	51 x33 3	87 x57 W	123 x7B {	163 xA3 Ḅ	202 xCA Ê	238 xEE î
17 x11 J	52 x34 4	88 x58 X	124 x7C	164 xA4 Ḅ	203 xCB Ë	239 xEF ï
18 x12 `	53 x35 5	89 x59 Y	125 x7D }	165 xA5 ⋈	204 xCC Ì	240 xF0 ð
19 x13 '	54 x36 6	90 x5A Z	126 x7E ~	166 xA6 Ḅ	205 xCD Í	241 xF1 ñ
20 x14 ˘	55 x37 7	91 x5B [127 x7F ˘	167 xA7 Ŧ	206 xCE Î	242 xF2 ò
21 x15 ˘	56 x38 8	92 x5C \	128 x80 €	168 xA8 ⋈	207 xCF Ï	243 xF3 ó
22 x16 ˘	57 x39 9	93 x5D]	129 x81 Ǻ	169 xA9 ×	208 xD0 Ð	244 xF4 ô
23 x17 °	58 x3A :	94 x5E ^	130 x82 Ć	170 xAA Ǻ	209 xD1 Ñ	245 xF5 õ
24 x18 ,	59 x3B ;	95 x5F _	132 x84 ≥	171 xAB ŋ	210 xD2 Ò	246 xF6 ö
25 x19 ss	60 x3C <	96 x60 ^	133 x85 ≈	172 xAC ⋈	211 xD3 Ó	247 xF7 ÷
26 x1A æ	61 x3D =	97 x61 Ǻ	134 x86 Ḅ	173 xAD ∞	212 xD4 Ô	248 xF8 ø
27 x1B æ	62 x3E >	98 x62 B	135 x87 Ŧ	174 xAE ◀	213 xD5 Õ	249 xF9 ù
28 x1C ø	63 x3F ?	99 x63 C	137 x89 ≤	175 xAF ▶	214 xD6 Ö	250 xFA ú
29 x1D æ	64 x40 @	100 x64 D	138 x8A Ẹ	176 xB0 Ŧ	215 xD7 ı	251 xFB û
30 x1E æ	65 x41 A	101 x65 E	139 x8B Ŋ	177 xB1 ś	216 xD8 œ	252 xFC ü
31 x1F ø	66 x42 B	102 x66 F	140 x8C ~	178 xB2 š	217 xD9 Û	253 xFD ý
32 x20 L	67 x43 C	103 x67 G	141 x8D ^	179 xB3 ŝ	218 xDA Ú	254 xFE þ
33 x21 !	68 x44 D	104 x68 H	142 x8E ø	180 xB4 •	219 xDB Û	255 xFF ı
34 x22 "	69 x45 E	105 x69 I	143 x8F +	181 xB5 ŧ	220 xDC Ü	
35 x23 #	70 x46 F	106 x6A J	144 x90 #	182 xB6 ⋈		
	71 x47 G	107 x6B K				

T_EX Gyre Cursor: T2A (Cyrillic) encoding table

0 x00 `	39 x27 '	76 x4C L	113 x71 Q	150 x96 U	187 xBB Ь	224 xE0 a
1 x01 '	40 x28 (77 x4D M	114 x72 r	151 x97 V	188 xBC ë	225 xE1 б
2 x02 ^	41 x29)	78 x4E N	115 x73 s	152 x98 W	189 xBD ь	226 xE2 в
3 x03 ~	42 x2A *	79 x4F O	116 x74 t	153 x99 X	190 xBE «	227 xE3 г
4 x04 ¨	43 x2B H	80 x50 P	117 x75 u	154 x9A Y	191 xBF »	228 xE4 д
5 x05 ˇ	44 x2C ,	81 x51 Q	118 x76 v	155 x9B Ь	192 xC0 А	229 xE5 е
6 x06 °	45 x2D —	82 x52 R	119 x77 w	156 x9C Ë	193 xC1 Б	230 xE6 ж
7 x07 ˘	46 x2E .	83 x53 S	120 x78 x	157 x9D Ŋ	194 xC2 В	231 xE7 з
8 x08 ˙	47 x2F /	84 x54 T	121 x79 y	158 x9E Ѡ	195 xC3 Г	232 xE8 и
9 x09 ¯	48 x30 O	85 x55 U	122 x7A z	159 x9F S	196 xC4 Д	233 xE9 й
10 x0A ´	49 x31 l	86 x56 V	123 x7B {	160 xA0 Г	197 xC5 Е	234 xEA к
11 x0B ,	50 x32 z	87 x57 W	124 x7C	161 xA1 Г	198 xC6 Ж	235 xEB л
12 x0C ,	51 x33 3	88 x58 X	125 x7D }	162 xA2 Ѣ	199 xC7 З	236 xEC м
13 x0D I	52 x34 4	89 x59 Y	126 x7E ~	163 xA3 Ѥ	200 xC8 И	237 xED н
14 x0E <	53 x35 5	90 x5A Z	127 x7F -	164 xA4 Ѧ	201 xC9 Й	238 xEE о
15 x0F >	54 x36 6	91 x5B I	128 x80 Г	165 xA5 Ѩ	202 xCA К	239 xEF п
16 x10 ˆ	55 x37 7	92 x5C N	129 x81 Г	166 xA6 Ѭ	203 xCB Л	240 xF0 р
17 x11 ˆ	56 x38 8	93 x5D J	130 x82 Г	167 xA7 Ѯ	204 xCC М	241 xF1 с
18 x12 ˆ	57 x39 9	94 x5E ^	131 x83 Г	168 xA8 Ѱ	205 xCD Н	242 xF2 т
19 x13 ˆ	58 x3A :	95 x5F L	132 x84 H	169 xA9 Ѳ	206 xCE О	243 xF3 у
20 x14 ˆ	59 x3B ;	96 x60 ˆ	133 x85 Ж	170 xAA к	207 xCF П	244 xF4 ф
21 x15 —	60 x3C <	97 x61 a	134 x86 З	171 xAB к	208 xD0 Р	245 xF5 х
22 x16 —	61 x3D —	98 x62 b	135 x87 У	172 xAC æ	209 xD1 С	246 xF6 ц
24 x18 o	62 x3E >	99 x63 c	136 x88 Ѡ	173 xAD Ѣ	210 xD2 Т	247 xF7 ч
25 x19 u	63 x3F ?	100 x64 d	137 x89 К	174 xAE Ѥ	211 xD3 У	248 xF8 ш
26 x1A j	64 x40 @	101 x65 e	138 x8A К	175 xAF s	212 xD4 Ѧ	249 xF9 щ
27 x1B ff	65 x41 A	102 x66 f	139 x8B К	176 xB0 e	213 xD5 X	250 xFA ъ
28 x1C fi	66 x42 B	103 x67 g	140 x8C Ѡ	177 xB1 c	214 xD6 Ц	251 xFB ы
29 x1D fi	67 x43 C	104 x68 h	141 x8D Ѣ	178 xB2 y	215 xD7 Ч	252 xFC ь
32 x20 L	68 x44 D	105 x69 i	142 x8E H	179 xB3 Y	216 xD8 Ц	253 xFD э
33 x21 !	69 x45 E	106 x6A j	143 x8F S	180 xB4 Y	217 xD9 Ц	254 xFE ё
34 x22 "	70 x46 F	107 x6B k	144 x90 Θ	181 xB5 x	218 xDA Ъ	255 xFF я
35 x23 #	71 x47 G	108 x6C l	145 x91 C	182 xB6 u	219 xDB Ы	
36 x24 \$	72 x48 H	109 x6D m	146 x92 Ÿ	183 xB7 v	220 xDC Ь	
37 x25 %	73 x49 I	110 x6E n	147 x93 Y	184 xB8 w	221 xDD Э	
38 x26 &	74 x4A J	111 x6F o	148 x94 Y	185 xB9 e	222 xDE Ю	
	75 x4B K	112 x70 p	149 x95 X	186 xBA e	223 xDF Я	

T_EX Gyre Cursor: T2B (Cyrillic) encoding table

0 x00 `	37 x25 %	72 x48 H	107 x6B k			222 xDE K
1 x01 '	38 x26 &	73 x49 I	108 x6C l	146 x92 ŷ	188 xBC ë	223 xDF L
2 x02 ^	39 x27 '	74 x4A J	109 x6D m	147 x93 Ÿ	189 xBD ü	224 xE0 a
3 x03 ~	40 x28 (75 x4B K	110 x6E n	149 x95 X	190 xBE «	225 xE1 b
4 x04 ¨	41 x29)	76 x4C L	111 x6F o		191 xBF »	226 xE2 B
5 x05 ´	42 x2A *	77 x4D M	112 x70 p	151 x97 Ŵ	192 xC0 A	227 xE3 r
6 x06 °	43 x2B +	78 x4E N	113 x71 q	152 x98 ŵ	193 xC1 B	228 xE4 u
7 x07 ˘	44 x2C ,	79 x4F O	114 x72 r	153 x99 Ŷ	194 xC2 B	229 xE5 e
8 x08 ˙	45 x2D -	80 x50 P	115 x73 s	154 x9A Θ	195 xC3 Γ	230 xE6 k
9 x09 ¯	46 x2E .	81 x51 Q	116 x74 t	156 x9C É	196 xC4 Δ	231 xE7 z
10 x0A ´	47 x2F /	82 x52 R	117 x75 u	157 x9D Ŧ	197 xC5 E	232 xE8 h
11 x0B ,	48 x30 0	83 x53 S	118 x76 v	158 x9E ı	198 xC6 K	233 xE9 ŋ
12 x0C ç	49 x31 1	84 x54 T	119 x77 w	159 x9F Ş	199 xC7 L	234 xEA k
13 x0D ı	50 x32 2	85 x55 U	120 x78 x		200 xC8 M	235 xEB n
14 x0E <	51 x33 3	86 x56 V	121 x79 y	161 xA1 ŕ	201 xC9 Ň	236 xEC m
15 x0F >	52 x34 4	87 x57 W	122 x7A z	163 xA3 ŕ	202 xCA K	237 xED h
16 x10 ˆ	53 x35 5	88 x58 X	123 x7B {	164 xA4 h	203 xCB L	238 xEE o
17 x11 ˆ	54 x36 6	89 x59 Y	124 x7C	165 xA5 x	204 xCC M	239 xEF r
18 x12 ˆ	55 x37 7	90 x5A Z	125 x7D }	167 xA7 ı	205 xCD H	240 xF0 p
19 x13 ˆ	56 x38 8	91 x5B [126 x7E ~	168 xA8 ı	206 xCE O	241 xF1 c
20 x14 ˆ	57 x39 9	92 x5C \	127 x7F -	169 xA9 k	207 xCF Π	242 xF2 r
21 x15 -	58 x3A :	93 x5D]		171 xAB k	208 xD0 P	243 xF3 y
22 x16 -	59 x3B ;	94 x5E ^	129 x81 Ŕ		209 xD1 C	244 xF4 ç
	60 x3C <	95 x5F _	131 x83 Ŗ	173 xAD h	210 xD2 T	245 xF5 x
24 x18 o	61 x3D =	96 x60 ˘	132 x84 h	174 xAE h	211 xD3 Y	246 xF6 u
25 x19 u	62 x3E >	97 x61 a	133 x85 X	175 xAF h	212 xD4 Φ	247 xF7 v
26 x1A j	63 x3F ?	98 x62 b		176 xB0 e	213 xD5 X	248 xF8 u
27 x1B ff	64 x40 @	99 x63 c	135 x87 z	178 xB2 ŷ	214 xD6 U	249 xF9 u
28 x1C fi	65 x41 A	100 x64 d	136 x88 B	179 xB3 Ÿ	215 xD7 U	250 xFA b
29 x1D fl	66 x42 B	101 x65 e	137 x89 K		216 xD8 U	251 xFB f
	67 x43 C	102 x66 f	139 x8B K	181 xB5 x	217 xD9 U	252 xFC b
32 x20 L	68 x44 D	103 x67 g	141 x8D H	183 xB7 v	218 xDA b	253 xFD z
33 x21 !	69 x45 E	104 x68 h	142 x8E H	184 xB8 v	219 xDB b	254 xFE k
34 x22 "	70 x46 F	105 x69 i	143 x8F H	185 xB9 b	220 xDC b	255 xFF s
35 x23 #	71 x47 G	106 x6A j	144 x90 Θ	186 xBA e	221 xDD z	

T_EX Gyre Cursor: T2C (Cyrillic) encoding table

0 x00 `	37 x25 %	72 x48 H	107 x6B k	145 x91 C	186 xBA ə	222 xDE Ɔ
1 x01 '	38 x26 &	73 x49 I	108 x6C l	146 x92 C	188 xBC ë	223 xDF ǰ
2 x02 ^	39 x27 '	74 x4A J	109 x6D m	147 x93 B	189 xBD „	224 xE0 a
3 x03 ~	40 x28 (75 x4B K	110 x6E n	149 x95 X	190 xBE «	225 xE1 á
4 x04 ¨	41 x29)	76 x4C L	111 x6F o	150 x96 U	191 xBF »	226 xE2 â
5 x05 ´	42 x2A *	77 x4D M	112 x70 p	151 x97 C	192 xC0 A	227 xE3 ã
6 x06 °	43 x2B +	78 x4E N	113 x71 q	152 x98 q	193 xC1 B	228 xE4 ä
7 x07 ˘	44 x2C ,	79 x4F O	114 x72 r	154 x9A Θ	194 xC2 B	229 xE5 å
8 x08 ˙	45 x2D -	80 x50 P	115 x73 s	156 x9C Ë	195 xC3 Γ	230 xE6 æ
9 x09 ¯	46 x2E .	81 x51 Q	116 x74 t	157 x9D Ŧ	196 xC4 Δ	231 xE7 æ
10 x0A ´	47 x2F /	82 x52 R	117 x75 u	158 x9E x	197 xC5 E	232 xE8 æ
11 x0B ,	48 x30 0	83 x53 S	118 x76 v	159 x9F S	198 xC6 Ж	233 xE9 ǿ
12 x0C ,	49 x31 1	84 x54 T	119 x77 w	160 xA0 H	199 xC7 З	234 xEA æ
13 x0D I	50 x32 2	85 x55 U	120 x78 x	161 xA1 H	200 xC8 И	235 xEB æ
14 x0E <	51 x33 3	86 x56 V	121 x79 y	162 xA2 T	201 xC9 Й	236 xEC æ
15 x0F >	52 x34 4	87 x57 W	122 x7A z	163 xA3 Г	202 xCA К	237 xED æ
16 x10 ¨	53 x35 5	88 x58 X	123 x7B {	164 xA4 h	203 xCB Л	238 xEE æ
17 x11 ¨	54 x36 6	89 x59 Y	124 x7C	166 xA6 q	204 xCC M	239 xEF æ
18 x12 ^	55 x37 7	90 x5A Z	125 x7D }	167 xA7 æ	205 xCD H	240 xF0 p
19 x13 ˘	56 x38 8	91 x5B [126 x7E ~	169 xA9 k	206 xCE O	241 xF1 c
20 x14 ˙	57 x39 9	92 x5C \	127 x7F -	171 xAB æ	207 xCF Π	242 xF2 T
21 x15 -	58 x3A :	93 x5D]	128 x80 Π	173 xAD H	208 xD0 P	243 xF3 Y
22 x16 -	59 x3B ;	94 x5E ^	129 x81 Π	175 xAF H	209 xD1 C	244 xF4 ϕ
24 x18 o	60 x3C <	95 x5F _	130 x82 T	176 xB0 e	210 xD2 T	245 xF5 x
25 x19 u	61 x3D =	96 x60 `	131 x83 E	177 xB1 c	211 xD3 Y	246 xF6 u
26 x1A j	62 x3E >	97 x61 a	132 x84 h	178 xB2 c	212 xD4 ϕ	247 xF7 q
27 x1B ff	63 x3F ?	98 x62 b	134 x86 E	179 xB3 b	213 xD5 X	248 xF8 u
28 x1C fi	64 x40 @	99 x63 c	135 x87 Z	181 xB5 x	214 xD6 U	249 xF9 u
29 x1D fI	65 x41 A	100 x64 d	137 x89 K	182 xB6 u	215 xD7 q	250 xFA h
32 x20 L	66 x42 B	101 x65 e	139 x8B K	183 xB7 c	216 xD8 Π	251 xFB h
33 x21 !	67 x43 C	102 x66 f	141 x8D H	184 xB8 q	217 xD9 Π	252 xFC h
34 x22 ¨	68 x44 D	103 x67 g	143 x8F H	220 xDC B	218 xDA B	253 xFD ə
35 x23 #	69 x45 E	104 x68 h	144 x90 Θ	221 xDD ə	219 xDB B	254 xFE æ
36 x24 \$	70 x46 F	105 x69 i			222 xDE Ɔ	255 xFF ǰ
	71 x47 G	106 x6A j				

T_EX Gyre Cursor: T5 (Vietnamese) encoding table

0 x00 �	37 x25 �	74 x4A �	111 x6F �	148 x94 �	185 xB9 �	222 xDE �
1 x01 �	38 x26 �	75 x4B �	112 x70 �	149 x95 �	186 xBA �	223 xDF �
2 x02 �	39 x27 �	76 x4C �	113 x71 �	150 x96 �	187 xBB �	224 xE0 �
3 x03 �	40 x28 �	77 x4D �	114 x72 �	151 x97 �	188 xBC �	225 xE1 �
4 x04 �	41 x29 �	78 x4E �	115 x73 �	152 x98 �	189 xBD �	226 xE2 �
5 x05 �	42 x2A �	79 x4F �	116 x74 �	153 x99 �	190 xBE �	227 xE3 �
6 x06 �	43 x2B �	80 x50 �	117 x75 �	154 x9A �	191 xBF �	228 xE4 �
7 x07 �	44 x2C �	81 x51 �	118 x76 �	155 x9B �	192 xC0 �	229 xE5 �
8 x08 �	45 x2D �	82 x52 �	119 x77 �	156 x9C �	193 xC1 �	230 xE6 �
9 x09 �	46 x2E �	83 x53 �	120 x78 �	157 x9D �	194 xC2 �	231 xE7 �
10 x0A �	47 x2F �	84 x54 �	121 x79 �	158 x9E �	195 xC3 �	232 xE8 �
11 x0B �	48 x30 �	85 x55 �	122 x7A �	159 x9F �	196 xC4 �	233 xE9 �
12 x0C �	49 x31 �	86 x56 �	123 x7B �	160 xA0 �	197 xC5 �	234 xEA �
13 x0D �	50 x32 �	87 x57 �	124 x7C �	161 xA1 �	198 xC6 �	235 xEB �
14 x0E �	51 x33 �	88 x58 �	125 x7D �	162 xA2 �	199 xC7 �	236 xEC �
15 x0F �	52 x34 �	89 x59 �	126 x7E �	163 xA3 �	200 xC8 �	237 xED �
16 x10 �	53 x35 �	90 x5A �	127 x7F �	164 xA4 �	201 xC9 �	238 xEE �
17 x11 �	54 x36 �	91 x5B �	128 x80 �	165 xA5 �	202 xCA �	239 xEF �
18 x12 �	55 x37 �	92 x5C �	129 x81 �	166 xA6 �	203 xCB �	240 xF0 �
19 x13 �	56 x38 �	93 x5D �	130 x82 �	167 xA7 �	204 xCC �	241 xF1 �
20 x14 �	57 x39 �	94 x5E �	131 x83 �	168 xA8 �	205 xCD �	242 xF2 �
21 x15 �	58 x3A �	95 x5F �	132 x84 �	169 xA9 �	206 xCE �	243 xF3 �
22 x16 �	59 x3B �	96 x60 �	133 x85 �	170 xAA �	207 xCF �	244 xF4 �
23 x17 �	60 x3C �	97 x61 �	134 x86 �	171 xAB �	208 xD0 �	245 xF5 �
24 x18 �	61 x3D �	98 x62 �	135 x87 �	172 xAC �	209 xD1 �	246 xF6 �
25 x19 �	62 x3E �	99 x63 �	136 x88 �	173 xAD �	210 xD2 �	247 xF7 �
26 x1A �	63 x3F �	100 x64 �	137 x89 �	174 xAE �	211 xD3 �	248 xF8 �
27 x1B �	64 x40 �	101 x65 �	138 x8A �	175 xAF �	212 xD4 �	249 xF9 �
28 x1C �	65 x41 �	102 x66 �	139 x8B �	176 xB0 �	213 xD5 �	250 xFA �
29 x1D �	66 x42 �	103 x67 �	140 x8C �	177 xB1 �	214 xD6 �	251 xFB �
30 x1E �	67 x43 �	104 x68 �	141 x8D �	178 xB2 �	215 xD7 �	252 xFC �
31 x1F �	68 x44 �	105 x69 �	142 x8E �	179 xB3 �	216 xD8 �	253 xFD �
32 x20 �	69 x45 �	106 x6A �	143 x8F �	180 xB4 �	217 xD9 �	254 xFE �
33 x21 �	70 x46 �	107 x6B �	144 x90 �	181 xB5 �	218 xDA �	255 xFF �
34 x22 �	71 x47 �	108 x6C �	145 x91 �	182 xB6 �		
35 x23 �	72 x48 �	109 x6D �	146 x92 �	183 xB7 �		
36 x24 �	73 x49 �	110 x6E �	147 x93 �	184 xB8 �		

T_EX Gyre Cursor: T5 (Vietnamese) small caps encoding table

0 x00 ı	37 x25 ı	74 x4A ı	111 x6F ı	148 x94 ı	185 xB9 ı	222 xDE ı
1 x01 ı	38 x26 ı	75 x4B ı	112 x70 ı	149 x95 ı	186 xBA ı	223 xDF ı
2 x02 ı	39 x27 ı	76 x4C ı	113 x71 ı	150 x96 ı	187 xBB ı	224 xE0 ı
3 x03 ı	40 x28 ı	77 x4D ı	114 x72 ı	151 x97 ı	188 xBC ı	225 xE1 ı
4 x04 ı	41 x29 ı	78 x4E ı	115 x73 ı	152 x98 ı	189 xBD ı	226 xE2 ı
5 x05 ı	42 x2A ı	79 x4F ı	116 x74 ı	153 x99 ı	190 xBE ı	227 xE3 ı
6 x06 ı	43 x2B ı	80 x50 ı	117 x75 ı	154 x9A ı	191 xBF ı	228 xE4 ı
7 x07 ı	44 x2C ı	81 x51 ı	118 x76 ı	155 x9B ı	192 xC0 ı	229 xE5 ı
8 x08 ı	45 x2D ı	82 x52 ı	119 x77 ı	156 x9C ı	193 xC1 ı	230 xE6 ı
9 x09 ı	46 x2E ı	83 x53 ı	120 x78 ı	157 x9D ı	194 xC2 ı	231 xE7 ı
10 x0A ı	47 x2F ı	84 x54 ı	121 x79 ı	158 x9E ı	195 xC3 ı	232 xE8 ı
11 x0B ı	48 x30 ı	85 x55 ı	122 x7A ı	159 x9F ı	196 xC4 ı	233 xE9 ı
12 x0C ı	49 x31 ı	86 x56 ı	123 x7B ı	160 xA0 ı	197 xC5 ı	234 xEA ı
13 x0D ı	50 x32 ı	87 x57 ı	124 x7C ı	161 xA1 ı	198 xC6 ı	235 xEB ı
14 x0E ı	51 x33 ı	88 x58 ı	125 x7D ı	162 xA2 ı	199 xC7 ı	236 xEC ı
15 x0F ı	52 x34 ı	89 x59 ı	126 x7E ı	163 xA3 ı	200 xC8 ı	237 xED ı
16 x10 ı	53 x35 ı	90 x5A ı	127 x7F ı	164 xA4 ı	201 xC9 ı	238 xEE ı
17 x11 ı	54 x36 ı	91 x5B ı	128 x80 ı	165 xA5 ı	202 xCA ı	239 xEF ı
18 x12 ı	55 x37 ı	92 x5C ı	129 x81 ı	166 xA6 ı	203 xCB ı	240 xF0 ı
19 x13 ı	56 x38 ı	93 x5D ı	130 x82 ı	167 xA7 ı	204 xCC ı	241 xF1 ı
20 x14 ı	57 x39 ı	94 x5E ı	131 x83 ı	168 xA8 ı	205 xCD ı	242 xF2 ı
21 x15 ı	58 x3A ı	95 x5F ı	132 x84 ı	169 xA9 ı	206 xCE ı	243 xF3 ı
22 x16 ı	59 x3B ı	96 x60 ı	133 x85 ı	170 xAA ı	207 xCF ı	244 xF4 ı
23 x17 ı	60 x3C ı	97 x61 ı	134 x86 ı	171 xAB ı	208 xD0 ı	245 xF5 ı
24 x18 ı	61 x3D ı	98 x62 ı	135 x87 ı	172 xAC ı	209 xD1 ı	246 xF6 ı
25 x19 ı	62 x3E ı	99 x63 ı	136 x88 ı	173 xAD ı	210 xD2 ı	247 xF7 ı
26 x1A ı	63 x3F ı	100 x64 ı	137 x89 ı	174 xAE ı	211 xD3 ı	248 xF8 ı
27 x1B ı	64 x40 ı	101 x65 ı	138 x8A ı	175 xAF ı	212 xD4 ı	249 xF9 ı
28 x1C ı	65 x41 ı	102 x66 ı	139 x8B ı	176 xB0 ı	213 xD5 ı	250 xFA ı
29 x1D ı	66 x42 ı	103 x67 ı	140 x8C ı	177 xB1 ı	214 xD6 ı	251 xFB ı
30 x1E ı	67 x43 ı	104 x68 ı	141 x8D ı	178 xB2 ı	215 xD7 ı	252 xFC ı
31 x1F ı	68 x44 ı	105 x69 ı	142 x8E ı	179 xB3 ı	216 xD8 ı	253 xFD ı
32 x20 ı	69 x45 ı	106 x6A ı	143 x8F ı	180 xB4 ı	217 xD9 ı	254 xFE ı
33 x21 ı	70 x46 ı	107 x6B ı	144 x90 ı	181 xB5 ı	218 xDA ı	255 xFF ı
34 x22 ı	71 x47 ı	108 x6C ı	145 x91 ı	182 xB6 ı		
35 x23 ı	72 x48 ı	109 x6D ı	146 x92 ı	183 xB7 ı		
36 x24 ı	73 x49 ı	110 x6E ı	147 x93 ı	184 xB8 ı		

T_EX Gyre Cursor: T_EX'n'ANSI (aka LY1 aka Y&Y) encoding table

41 x29)	77 x4D M	113 x71 q	149 x95 •	185 xB9 ¹	221 xDD Ÿ
1 x01 €	42 x2A *)	78 x4E N	114 x72 r	186 xBA ²	222 xDE Đ
4 x04 ↵	43 x2B H	79 x4F O	115 x73 s	187 xBB »	223 xDF Đ
5 x05 ·	44 x2C ,	80 x50 P	116 x74 t	188 xBC ¼	224 xE0 à
6 x06 ˘	45 x2D —	81 x51 Q	117 x75 u	189 xBD ½	225 xE1 á
7 x07 ,	46 x2E .	82 x52 R	118 x76 v	190 xBE ¾	226 xE2 â
8 x08 fi	47 x2F /	83 x53 S	119 x77 w	191 xBF ç	227 xE3 ã
10 x0A	48 x30 O	84 x54 T	120 x78 x	192 xC0 À	228 xE4 ä
11 x0B ff	49 x31 I	85 x55 U	121 x79 y	193 xC1 Á	229 xE5 å
12 x0C fi	50 x32 2	86 x56 V	122 x7A z	194 xC2 Â	230 xE6 æ
16 x10 u	51 x33 3	87 x57 W	123 x7B {	195 xC3 Ã	231 xE7 ç
17 x11 j	52 x34 4	88 x58 X	124 x7C	196 xC4 Ä	232 xE8 è
18 x12 ˘	53 x35 5	89 x59 Y	125 x7D }	197 xC5 Å	233 xE9 é
19 x13 ˘	54 x36 6	90 x5A Z	126 x7E ˘	198 xC6 Æ	234 xEA ê
20 x14 ˘	55 x37 7	91 x5B [127 x7F ˘˘	199 xC7 Ç	235 xEB ë
21 x15 ˘	56 x38 8	92 x5C \	128 x80 E	200 xC8 È	236 xEC ì
22 x16 ˘	57 x39 9	93 x5D]	129 x81 '	201 xC9 É	237 xED í
23 x17 °	58 x3A :	94 x5E ^	130 x82 ,	202 xCA Ê	238 xEE î
24 x18 ,	59 x3B ;	95 x5F _	131 x83 f	203 xCB Ë	239 xEF ï
25 x19 B	60 x3C <	96 x60 '	132 x84 ,	204 xCC Ì	240 xF0 ö
26 x1A æ	61 x3D =	97 x61 a	133 x85 ..	205 xCD Í	241 xF1 ñ
27 x1B œ	62 x3E >	98 x62 b	134 x86 +	206 xCE Î	242 xF2 ò
28 x1C ø	63 x3F ?	99 x63 c	135 x87 #	207 xCF Ï	243 xF3 ó
29 x1D œ	64 x40 @	100 x64 d	136 x88 ^	208 xD0 Ð	244 xF4 ô
30 x1E €	65 x41 A	101 x65 e	137 x89 %	209 xD1 Ñ	245 xF5 ö
31 x1F ø	66 x42 B	102 x66 f	138 x8A Š	210 xD2 Ò	246 xF6 ö
32 x20	67 x43 C	103 x67 g	139 x8B k	211 xD3 Ó	247 xF7 ±
33 x21 !!	68 x44 D	104 x68 h	140 x8C €	212 xD4 Ô	248 xF8 ø
34 x22 "	69 x45 E	105 x69 i	141 x8D Ž	213 xD5 Õ	249 xF9 ù
35 x23 #	70 x46 F	106 x6A j	142 x8E ^	214 xD6 Ö	250 xFA ú
36 x24 \$	71 x47 G	107 x6B k	143 x8F —	215 xD7 ×	251 xFB û
37 x25 %	72 x48 H	108 x6C l	144 x90 L	216 xD8 Ø	252 xFC ü
38 x26 &	73 x49 I	109 x6D m	145 x91 '	217 xD9 Ù	253 xFD ý
39 x27 '	74 x4A J	110 x6E n	146 x92 '	218 xDA Ú	254 xFE þ
40 x28 (75 x4B K	111 x6F o	147 x93 "	219 xDB Û	255 xFF ÿ
	76 x4C L	112 x70 p	148 x94 "	220 xDC Ü	

T_EX Gyre Cursor: T_EX'n'ANSI (aka LY1 aka Y&Y) small caps encoding table

44 x2C ,	80 x50 P	116 x74 T	152 x98 ~	188 xBC ¼	224 xE0 à
1 x01 €	45 x2D -	81 x51 Q	117 x75 U	189 xBD ½	225 xE1 á
4 x04 <	46 x2E .	82 x52 R	118 x76 V	190 xBE ¾	226 xE2 â
5 x05 '	47 x2F /	83 x53 S	119 x77 W	191 xBF ç	227 xE3 ã
6 x06 "	48 x30 o	84 x54 T	120 x78 X	192 xC0 à	228 xE4 ä
7 x07 ,	49 x31 u	85 x55 U	121 x79 Y	193 xC1 Á	229 xE5 å
10 x0A	50 x32 z	86 x56 V	122 x7A Z	194 xC2 Â	230 xE6 æ
16 x10 I	51 x33 3	87 x57 W	123 x7B {	195 xC3 Ã	231 xE7 ç
17 x11 J	52 x34 4	88 x58 X	124 x7C	196 xC4 Ä	232 xE8 è
18 x12 `	53 x35 5	89 x59 Y	125 x7D }	197 xC5 Å	233 xE9 é
19 x13 '	54 x36 6	90 x5A Z	126 x7E ~	198 xC6 Æ	234 xEA ê
20 x14 ^	55 x37 7	91 x5B [127 x7F ¨	199 xC7 Ç	235 xEB ë
21 x15 ~	56 x38 8	92 x5C \	128 x80 E	200 xC8 È	236 xEC ì
22 x16 ¯	57 x39 9	93 x5D]	129 x81 '	201 xC9 É	237 xED í
23 x17 °	58 x3A :	94 x5E ^	130 x82 ,	202 xCA Ê	238 xEE î
24 x18 ,	59 x3B ;	95 x5F _	131 x83 f	203 xCB Ë	239 xEF ï
25 x19 ss	60 x3C <	96 x60 '	132 x84 ,	204 xCC Ì	240 xF0 è
26 x1A æ	61 x3D =	97 x61 A	133 x85 ..	205 xCD Í	241 xF1 é
27 x1B æ	62 x3E >	98 x62 B	134 x86 +	206 xCE Î	242 xF2 ò
28 x1C ø	63 x3F ?	99 x63 C	135 x87 #	207 xCF Ï	243 xF3 ó
29 x1D æ	64 x40 @	100 x64 D	136 x88 ^	208 xD0 Ð	244 xF4 ô
30 x1E æ	65 x41 A	101 x65 E	137 x89 &	209 xD1 Ñ	245 xF5 õ
31 x1F ø	66 x42 B	102 x66 F	138 x8A Š	210 xD2 Ò	246 xF6 ö
32 x20	67 x43 C	103 x67 G	139 x8B <	211 xD3 Ó	247 xF7 ÷
33 x21 !	68 x44 D	104 x68 H	140 x8C Æ	212 xD4 Ô	248 xF8 ø
34 x22 "	69 x45 E	105 x69 I	141 x8D Ž	213 xD5 Õ	249 xF9 ù
35 x23 #	70 x46 F	106 x6A J	142 x8E ^	214 xD6 Ö	250 xFA ú
36 x24 \$	71 x47 G	107 x6B K	143 x8F -	215 xD7 ×	251 xFB û
37 x25 %	72 x48 H	108 x6C L	144 x90 E	216 xD8 Ø	252 xFC ü
38 x26 &	73 x49 I	109 x6D M	145 x91 '	217 xD9 Ù	253 xFD ý
39 x27 '	74 x4A J	110 x6E N	146 x92 '	218 xDA Ú	254 xFE þ
40 x28 (75 x4B K	111 x6F O	147 x93 "	219 xDB Û	255 xFF ÿ
41 x29)	76 x4C L	112 x70 P	148 x94 "	220 xDC Ü	
42 x2A *	77 x4D M	113 x71 Q	149 x95 •	221 xDD Ý	
43 x2B +	78 x4E N	114 x72 R	150 x96 -	222 xDE Þ	
	79 x4F O	115 x73 S	151 x97 -	187 xBB >	

T_EX Gyre Cursor: TS1 (text companion) encoding table

0 x00 `	25 x19 >	52 x34 4	98 x62 *	137 x89 °	157 x9D e	177 xB1 H
1 x01 '	26 x1A ^	53 x35 5	99 x63 q q'	138 x8A \$	158 x9E o	178 xB2 I
2 x02 ^	27 x1B ^	54 x36 6	100 x64 +	139 x8B c	159 x9F m'	179 xB3 J
3 x03 ~	28 x1C ^	55 x37 7	108 x6C ø	140 x8C f	160 xA0 {_	180 xB4 K
4 x04 ¨	29 x1D ^	56 x38 8	109 x6D œ	141 x8D C	161 xA1 }	181 xB5 L
5 x05 ´	31 x1F	57 x39 9	110 x6E µ	142 x8E w'	162 xA2 ç	182 xB6 M
6 x06 °	32 x20 b	60 x3C <	115 x73 f	143 x8F w'	163 xA3 ë	183 xB7 N
7 x07 ˘	36 x24 \$	61 x3D —	126 x7E L	144 x90 G	164 xA4 ı	184 xB8 O
8 x08 ˘	39 x27 '	62 x3E >	127 x7F =	145 x91 P	165 xA5 ı	185 xB9 P
9 x09 ˘	42 x2A *	77 x4D z	128 x80 ˘	146 x92 E	166 xA6 ı	186 xBA Q
10 x0A '	44 x2C ,	79 x4F O	129 x81 ˘	147 x93 R	167 xA7 S	187 xBB R
11 x0B ,	45 x2D =	87 x57 Ω	130 x82 ˘	148 x94 ?	168 xA8 ¨	188 xBC S
12 x0C ç	46 x2E .	91 x5B	131 x83 ˘	149 x95 ı	169 xA9 ©	189 xBD T
13 x0D ı	47 x2F <	93 x5D	132 x84 +	150 x96 đ	170 xAA a	190 xBE U
18 x12 ıı	48 x30 o	94 x5E >	133 x85 #	151 x97 m'	171 xAB ©	191 xBF €
21 x15 —	49 x31 ı	95 x5F ˘	134 x86	152 x98 ‰	172 xAC —	214 xD6 x
22 x16 —	50 x32 z	96 x60 ˘	135 x87 ‰	153 x99 ı	173 xAD ©	246 xF6 +
23 x17	51 x33 3		136 x88 •	154 x9A B	174 xAE ©	
24 x18 <				155 x9B w'	175 xAF —	
				156 x9C ı	176 xB0 °	